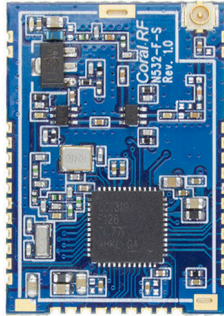


N532FS Radio Module

CC1130 chip,410-510Mhz,860-960Mhz,24dBm



INTRODUCTION

N532FS is a low-cost and small size fsk RF module for transmitting and receiving digital data via radio frequency. All of the N532's electronics (don't including an antenna) reside on a single PCB, and all operational power is derived from a single supply voltage.

N532FS based TI CC1310 and PA. All IO pin are brought out. The module available frequency is from 410-510Mhz, 860-960Mhz. The hardware is designed for maximum range. The module visual distance up to 2000m.

Technical specifications

Hardware Information

Interfaces: SPI,IIC,UART
Dimension: 31 x 22mm x 3mm
Operating voltage: 2 - 3.6V
PA Operating voltage: 3 - 5V
Operating temperature: -30°C to +70°C

Consumption(Sleep) : 2uA
Consumption (RX): 9mA
Consumption (TX): 400mA
RF chip: CC1310
Mounting: SMD

Software

Asynchronous Transparent mode
Low Power mode
Secure mode

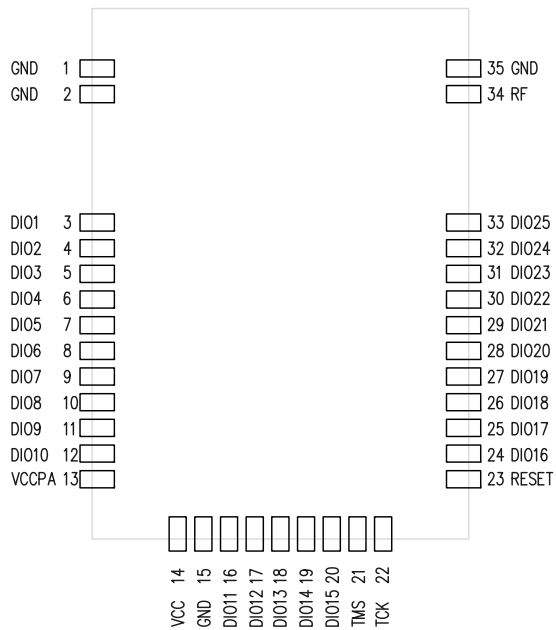
RSSI mode
Serial bootloader
Adjustable packet size

Wireless Interface

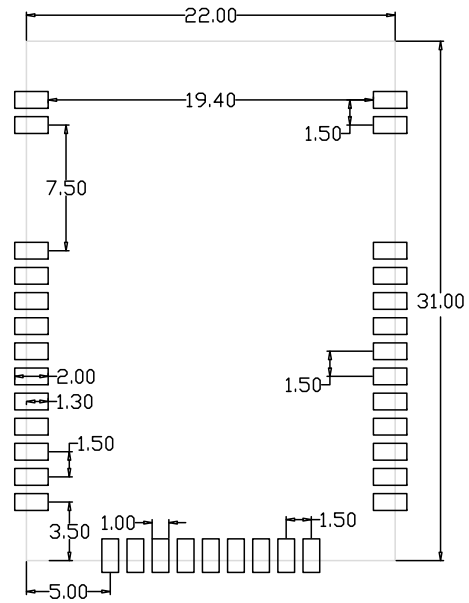
RF pin,IPEX
Frequency:410-510Mhz,860-960Mhz
Modulation: FSK

RF data rate: 1 - 1000Kbps
RF output power: up to 24dBm(3.3V)
RF sensitivity: -122dBm
Freq. Deviation: +/- 10Khz

Pin configuration & Dimensions



PIN define



PCB LAYOUT(mm)

Part numbers

N532FS-434M	RF Module	N532FS-434M - 200mW - 430-440Mhz
N532FS-490M	RF Module	N532FS-490M - 200mW - 470-510Mhz
N532FS-868M	RF Module	N532FS-868M - 200mW - 860-880Mhz
N532FS-915M	RF Module	N532FS-915M - 200mW - 910-960Mhz