

N513 Narrowband Module 30dBm

CC1120 Narrowband RF Module,162-174Mhz,384-464Mhz,860-960Mhz



INTRODUCTION

N513 is a low-cost and small size fsk narrowband RF module for transmitting and receiving digital data via radio frequency. All of the N513's electronics (don't including an antenna) reside on a single PCB, and all operational power is derived from a single supply voltage.

The narrowband transceiver module design consists of a CC1120 low-power, integrated sub 1G transceiver RF chip and ST MCU, all IO pin are brought out. The module available frequency is from 162-174Mhz,384-464Mhz,860-960Mhz, The hardware is designed for maximum range. The Visual distance up to 10000m.

Technical specifications

Hardware Information

Interfaces: SPI,IIC,UART
Dimension: 42 x 24mm x 3mm
Operating voltage: 2 - 3.6V
PA Operating voltage: 2 - 5V
Operating temperature: -30°C to +80°C

Consumption(Sleep) : 3uA
Consumption (RX): 35mA
Consumption (TX): 1400mA
RF chip: CC1120
Mounting: SMD

Software

Asynchronous Transparent mode
Low Power mode
Secure mode

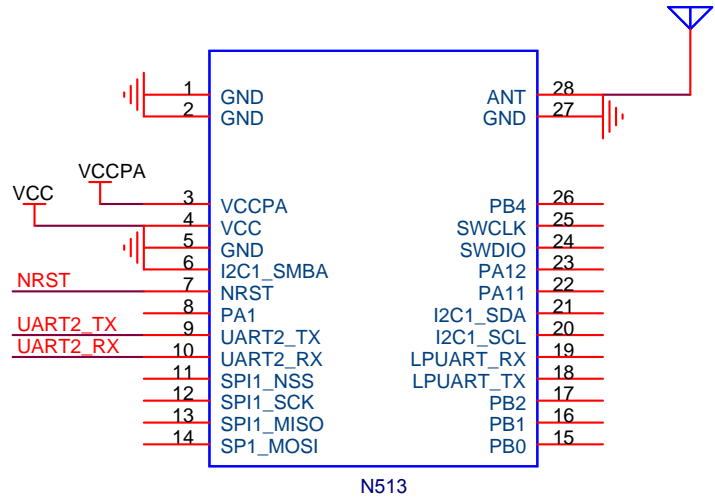
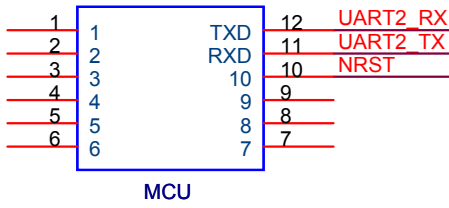
RSSI mode
Serial bootloader
Adjustable packet size

Wireless Interface

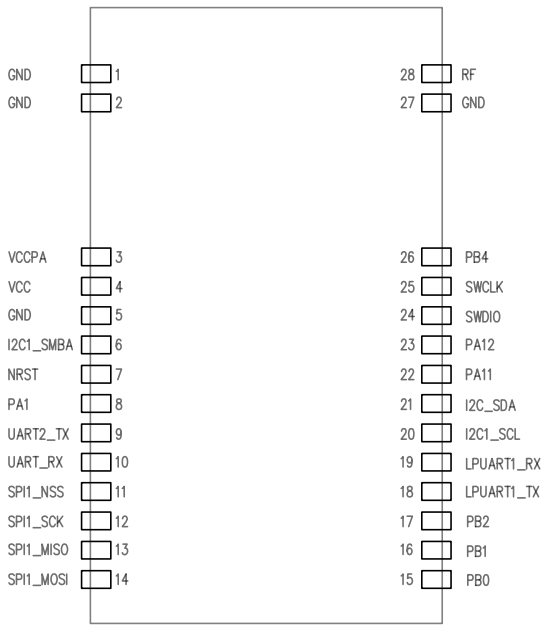
RF pin
Frequency:162-174Mhz,384-464Mhz,860-960Mhz
Modulation: narrowband FSK
RF deviation: ± 1 KHz

RF data rate: 1 - 200Kbps
RF output power: up to 30dBm(3.3V)
RF sensitivity: -122dBm

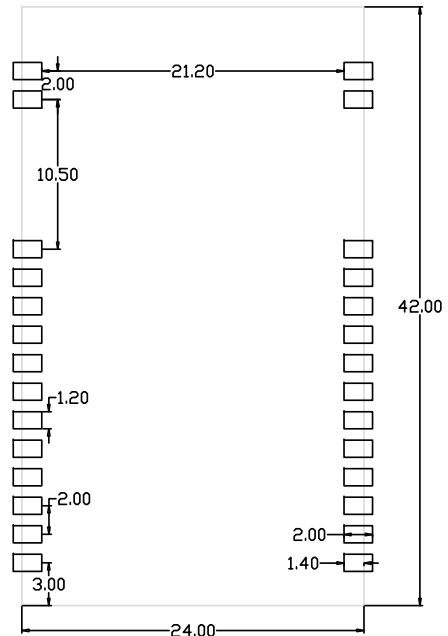
Debug interface



Pin configuration & Dimensions



PIN define



PCB LAYOUT (mm)

Part numbers

N513-F-S-434M RF Module N513-F-S-434M – 1000mW – 410-480Mhz

OTHER MODULES OF BANDS RANGE

N513-F-S-868M RF Module N513-F-S-868M – 1000mW – 860-960Mhz

N513-F-S-169M RF Module N513-F-S-169M – 1000mW – 162-174Mhz

Manufacturer

SHENZHEN NANCHENG TECHNOLOGY CO.,LTD

Contact with us

Shenzhen NanCheng Technology CO.,LTD
Addr: Room307,Xinbaoyuan Building,N5179,District 74 Xinan Street,
BaoAn District,Shenzhen,China 518101
Sales department: +0086 755 29662101
E-mail : info@hkulike.com
Web: www.hkulike.com