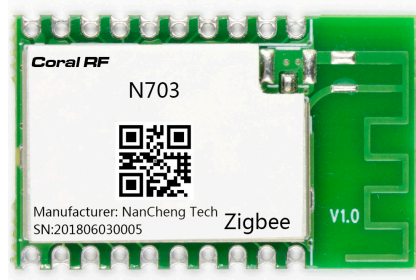


N703

CC2630 Zigbee RF Module



INTRODUCTION

N703 is a low-cost and small size zigbee RF module for transmitting and receiving digital data via radio frequency. All of the N703's electronics (including an antenna) reside on a single PCB, and all operational power is derived from a single supply voltage.

The transceiver module design consists of a TI CC2630 low-power, integrated 2.4G transceiver RF chip, The module used PCB antenna, and all IO pin are brought out. The module available frequency is from 2405Mhz to 2480mhz, The hardware is designed for maximum range.

Technical specifications

Hardware Information

Interfaces: IO,SPI,UART
Dimension: 28 x 18mm x 3mm
Operating voltage:2-3.6V
Operating temperature: -30°C to +70°C

Consumption(Sleep) : 1uA
Consumption (RX): 6mA
Consumption (TX): 9mA (4dBm)
Wireless Micro-controller:CC2630
Mounting: SMD

Software

Asynchronous Transparent mode
Low Power mode
Secure mode

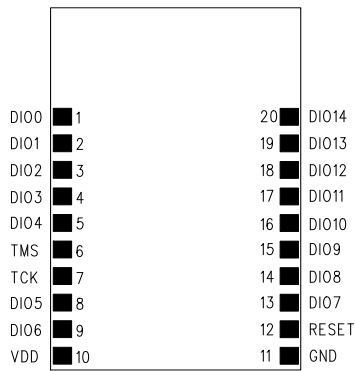
RSSI mode
Serial bootloader
Adjustable packet size

Wireless Interface

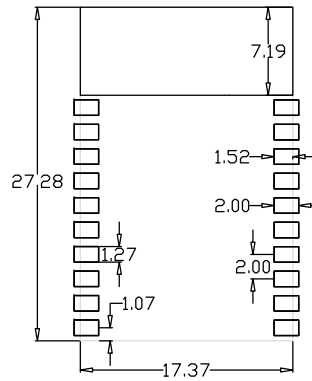
PCB antenna
Frequency: 2405 to 2480MHz
Modulation: GFSK
RF deviation: ± 10 Khz

RF data rate: 250 kbps
RF output power: up to 4dBm
RF sensitivity: -100dBm

Pin configuration & Dimensions

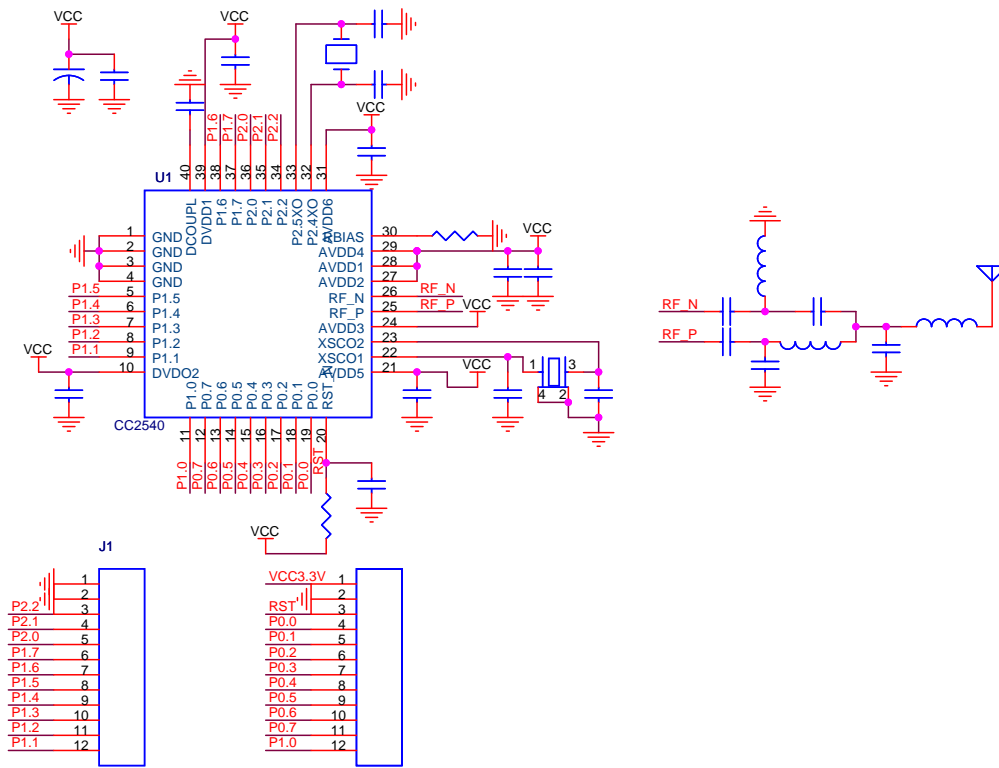


PIN define

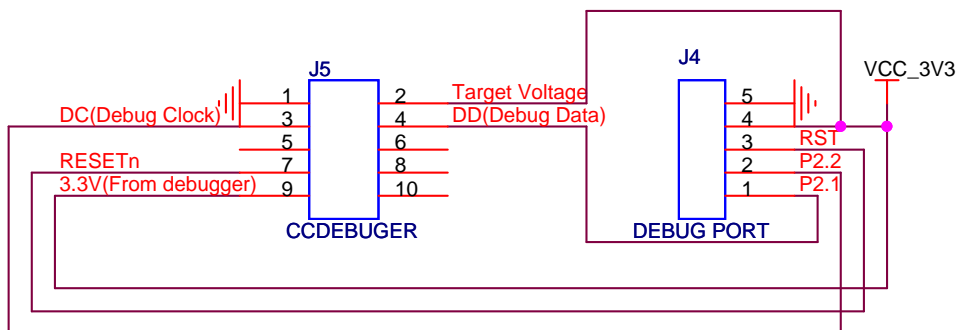


PCB LAYOUT(mm)

Circuit



Debug interface



Part numbers

N703-A-S-BLE RF Module N703-A-S-ZB – 2mW – 2405Mhz

OTHER MODULES OF BANDS RANGE

N708-A-P-BLE RF Module N708-A-P – 2mW – 2405Mhz

Notice

This N703 zigbee module have not any fireware,custom must use your own firmware. More about CC2630 information please see the CC2630 datasheet. Please visit : www.ti.com

Manufacturer

SHENZHEN NANCHENG TECHNOLOGY CO.,LTD

Contact with us

Shenzhen NanCheng Technology CO.,LTD
Addr: Room307,Xinbaoyuan Building,N5179,District 74 Xinan Street,
BaoAn District,Shenzhen,China 518101
Sales department: +0086 755 29662101
E-mail : info@hkulike.com
Web: www.hkulike.com