

N707

CC2531 Zigbee RF USB dongle Module



INTRODUCTION

N707 is a low-cost and small size USB dongle for transmitting and receiving digital data via radio frequency. All of the N707's electronics (including an antenna) reside on a single PCB, and all operational power is derived from a single supply voltage.

The transceiver dongle design consists of a TI CC2531 low-power, integrated UHF transceiver RF chip, The module used PCB antenna, and have USB port to connect to PC. The module available frequency is from 2405Mhz to 2480mhz, The hardware is designed for maximum range.

Technical specifications

Hardware Information

Interfaces: USB
LED
Dimension: 34 x 18mm x 7mm
Operating voltage: VCC:5V
Operating temperature: -30°C to +70°C

Consumption (RX): 17mA
Consumption (TX): 35mA (4dBm)
Wireless Micro-controller: CC2531
Mounting: USB

Software

Asynchronous Transparent mode
Low Power mode
Secure mode

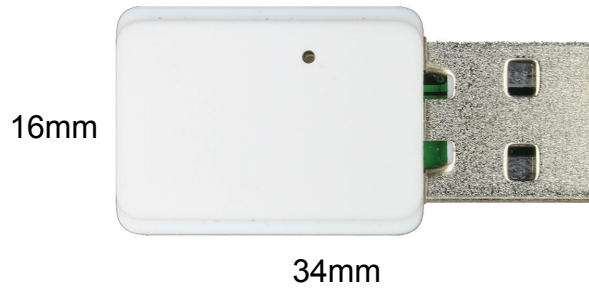
RSSI mode
Serial bootloader
Adjustable packet size

Wireless Interface

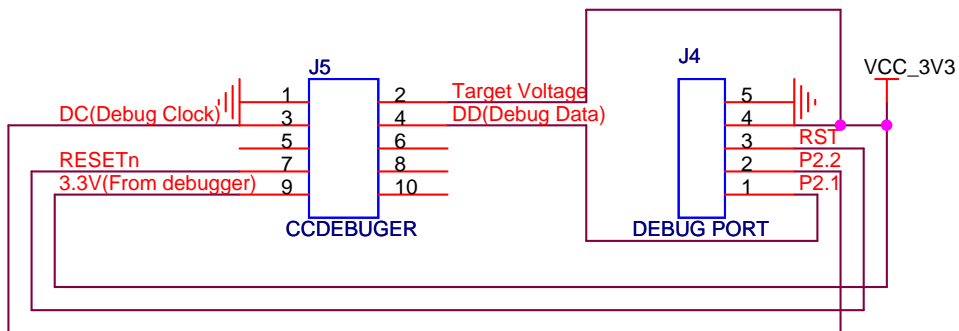
Onboard antenna
Frequency: 2405 to 2480MHz
Modulation: QSSS
RF deviation: ± 10 Khz

RF data rate: from 250 kbps
RF output power: up to 4dBm
RF sensitivity: -96dBm

Pin configuration & Dimensions



Debug interface



Part numbers

N707-A-P-ZB RF Module N707-A-P – 1mW – 2405Mhz

Notice

This N707 USB dongle have not any fireware,custom must use your own firmware. More about CC2531 information please see the CC2531 datasheet.

Please visit : www.ti.com

Manufacturer

SHENZHEN NANCHENG TECHNOLOGY CO.,LTD

Contact with us

Shenzhen NanCheng Technology CO.,LTD

Addr: Room307,Xinbaoyuan Building,N5179,District 74 Xinan Street,

BaoAn District,Shenzhen,China 518101

Sales department: +0086 755 29662101

E-mail : info@hkulike.com

Web: www.hkulike.com