

# N504

## CC1101 FSK RF UART Module,384-464,860-960Mhz



### INTRODUCTION

N504 is a low-cost and small size RF module for transmitting and receiving digital data via radio frequency. All of the N504's electronics (don't including an antenna) reside on a single PCB, and all operational power is derived from a single supply voltage.

The transceiver design consists of a CC1101 low-power, integrated sub 1G transceiver RF chip, all IO pin are brought out. The module available frequency is from 384 to 464Mhz, 860 to 960Mhz, The hardware is designed for maximum range.

### Technical specifications

#### Hardware Information

Interfaces: SPI  
Dimension: 27 x 20mm x 3mm  
Operating voltage: VCC: 2 - 3.6V  
Operating temperature: -30°C to +70°C

Consumption(Sleep) : 2uA  
Consumption (RX): 22mA  
Consumption (TX): 35mA  
RF chip: CC1101  
Mounting: SMD

#### Software

Asynchronous Transparent mode  
Low Power mode  
Secure mode

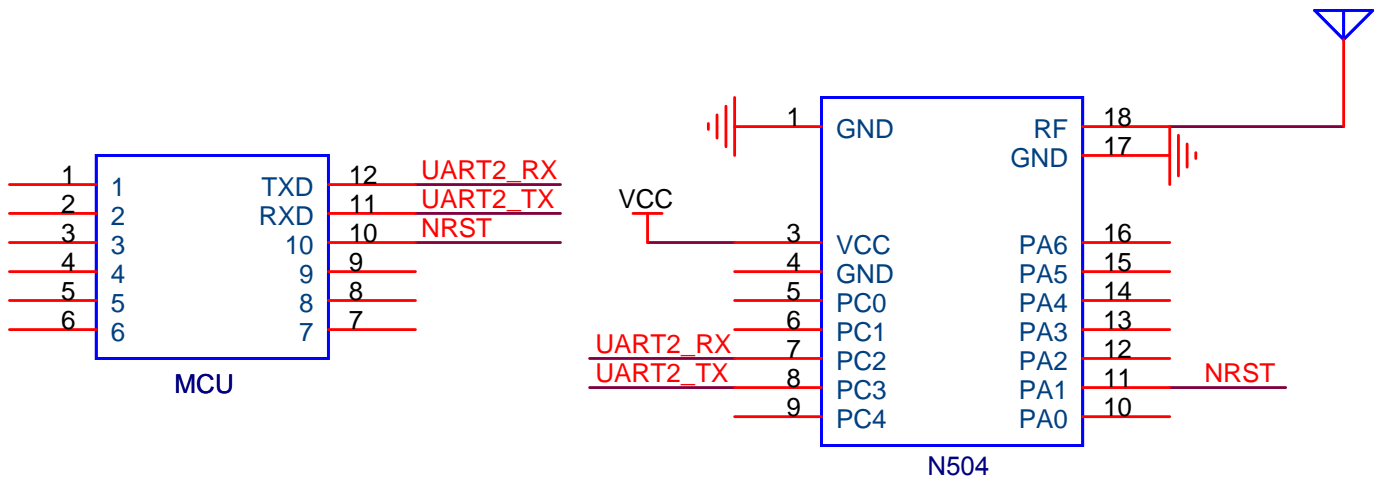
RSSI mode  
Serial bootloader  
Adjustable packet size

#### Wireless Interface

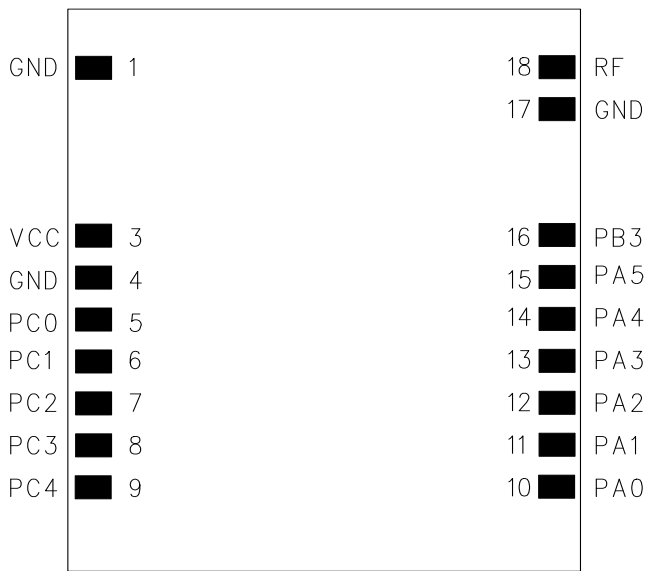
RF pin  
Frequency: 384-464Mhz, 860-960Mhz  
Modulation: FSK  
RF deviation:  $\pm 10$  Khz

RF data rate: 1.2 - 500kbps  
RF output power: up to 12dBm  
RF sensitivity: -116dBm

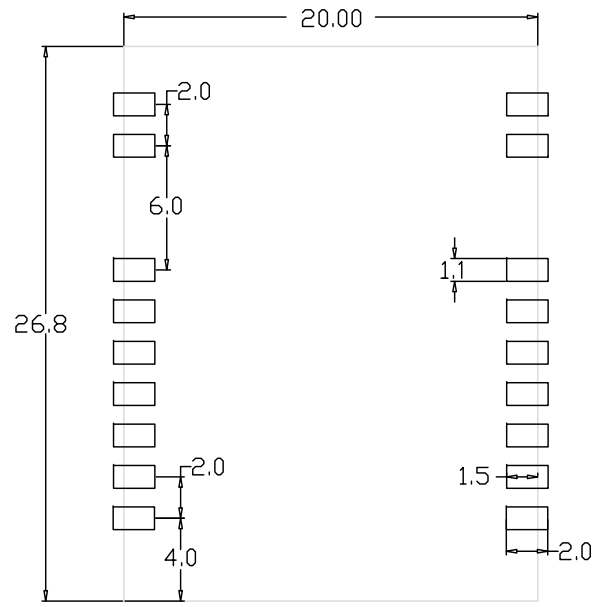
## Debug interface



## Pin configuration & Dimensions



PIN define



PCB LAYOUT(mm)

## **Part numbers**

N504-A-S-434M    RF Module N504-A-S-434M – 10mW – 384-464Mhz

## **OTHER MODULES OF BANDS RANGE**

N504-A-S-868M    RF Module N504-A-S-868M – 10mW – 860-960Mhz

## **Manufacturer**

SHENZHEN NANCHENG TECHNOLOGY CO.,LTD

## **Contact with us**

Shenzhen NanCheng Technology CO.,LTD  
Addr: Room307,Xinbaoyuan Building,N5179,District 74 Xinan Street,  
BaoAn District,Shenzhen,China 518101  
Sales department: +0086 755 29662101  
E-mail : info@hkulike.com  
Web: www.hkulike.com