

## N518BS CC1125 PA Module, +33dBm



### N518AS Module introduction

N518AS radio module based TI CC1125 transceiver, PA, and TCXO crystal.

N518AS CC1125 transceiver module designed for 169M, 433M, 868M and 915Mhz narrowband band.

N518AS has +33 dBm output power and the sensitivity down to -126 dBm, WMBUS and Arduinio support.

N518AS module has SMD and plug-in installation mode. The module use narrowband FSK modulation. N518AS FSK module occupies very little bandwidth.

N518AS hardware is designed for maximum range,10000 m + Range (Line of Sight).

### N518AS Module Parameters

Module	Introduce
Interface	SPI
Frequency	169M, 433M, 868M and 915Mhz
RF Data Rate	0 - 200 kbps
TX Power	<b>+33 dBm</b>
RX Sensitivity	-126 dBm at 1.2kbps
TX Current	1200 mA
RX Current	35 mA
Frequency Deviation	+/- 2 Khz
Communication Distance	10 - 10000 m (Visual distance)
Antenna Interface	RF pin, SMA
Installation Mode	SMD, plug-in
Volume (mm)	36 mm x 24 mm x 3 mm

Operating Voltage	2 - 3.6 V
PA Operating Voltage	4.5 - 5.5 V, type 5V
Working Temperature and Humidity Environment	Temperature: -40 - 80°C; Humidity 10 - 95 %RH
Storage Temperature and Humidity Environment	Temperature: -40 - 80°C; Humidity 10 - 95 %RH
Weight (kg)	≈10g

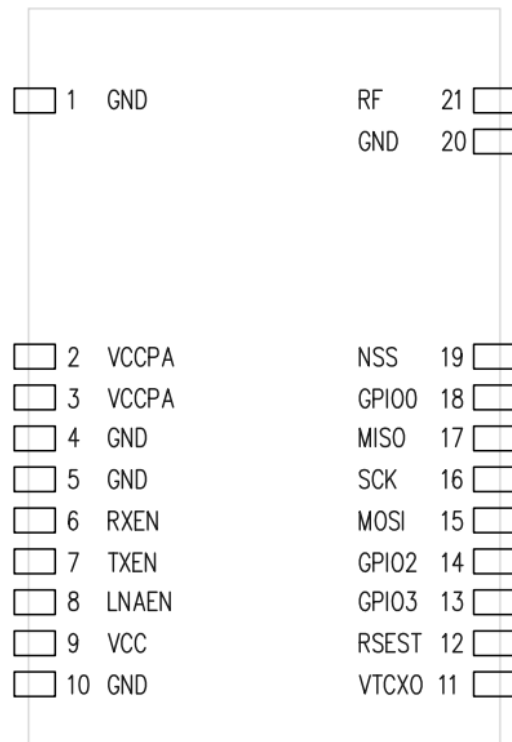
### N518AS pinout Description

	Pin name	Description		Pin name	Description
1	GND	Ground	12	RESET	RESET
2	VCCPA	5V	13	GPIO3	MCU I/O
3	VCCPA	5V	14	GPIO2	MCU I/O
4	GND	Ground	15	MOSI	SPI
5	GND	Ground	16	SCK	SPI
6	RXEN	MCU I/O	17	MISO	SPI
7	TXEN	MCU I/O	18	GPIO0	MCU I/O
8	LNAEN	MCU I/O	19	NSS	MCU I/O
9	VCC	2-3.6V	20	GND	GND
10	GND	GND	21	RF	RF PIN
11	VTCXO	MCU I/O			

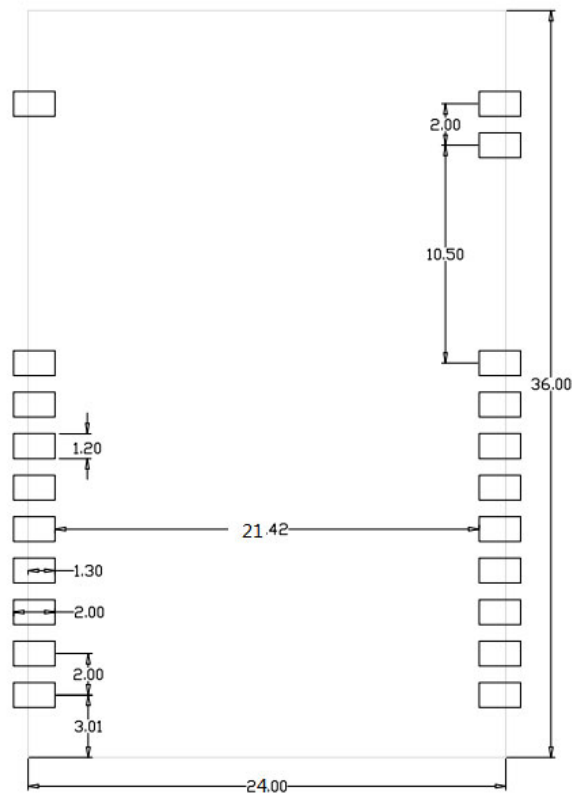
### N518AS Logic Description

	TXEN	RXEN	LENAN	VTCXO
Transmitt	1	0	1	1
Receive	0	1	0	1
Sleep	0	0	1	0

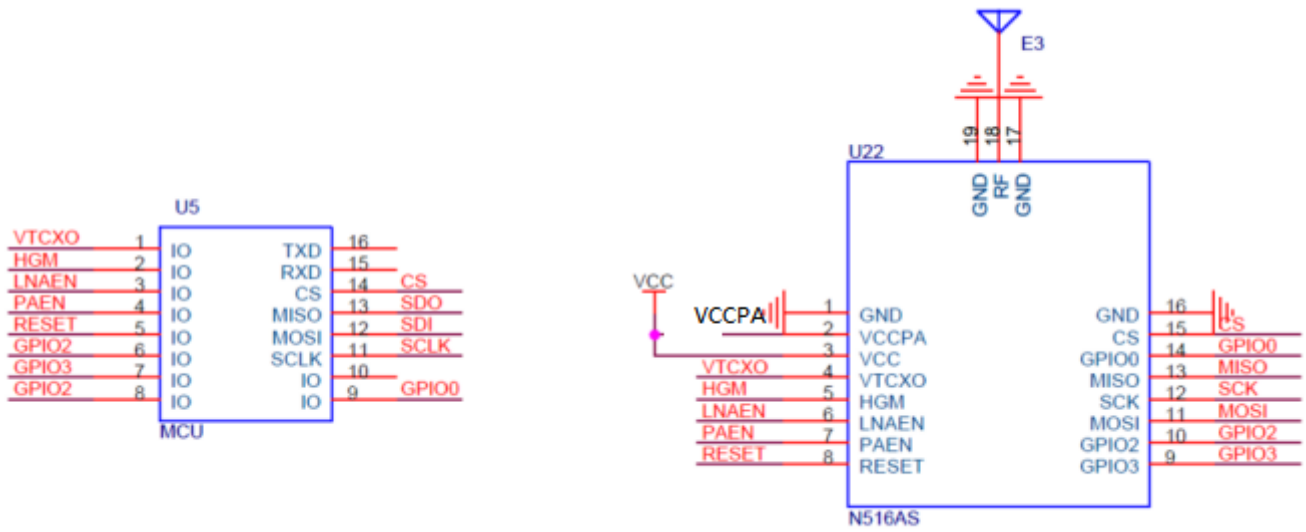
**N518AS Module Package**



**N518AS Module Packaging Diagram**



### N518AS Typical Application Circuit



### N518BS Ordering Information

N518AS-169M	CC1125+PA	+33 dBm, Narrowband, 860 - 880 MHz
N518AS-433M	CC1125+PA	+33 dBm, Narrowband, 860 - 880 MHz
N518AS-868M	CC1125+PA	+33 dBm, Narrowband, 860 - 880 MHz
N518AS-915M	CC1125+PA	+33 dBm, Narrowband, 910 - 960 MHz

More information please contact with us.