

N714

CC2530 PA Zigbee Dongle

INTRODUCTION

N714 is a low-cost and small size USB dongle for transmitting and receiving digital data via radio frequency. All of the N714's electronics (including an antenna) reside on a single PCB, and all operational power is derived from a single supply voltage.

The transceiver design consists of a TI CC2530 low-power, integrated UHF transceiver RF chip, USB to serial chip and CC2592. The module used PCB antenna, and have USB port to connect to PC. The module available frequency is from 2405Mhz to 2480mhz, The hardware is designed for maximum range.

Technical specifications

Hardware Information

Interfaces: USB
LED
Dimension: 53 x 18mm x 7mm
Operating voltage VCC:5V
Operating temperature: -30°C to +70°C

Consumption (RX): 17mA
Consumption (TX): 180mA (21dBm)
Wireless Micro-controller:CC2530
Mounting: USB PLUS

Software

Asynchronous Transparent mode
Low Power mode
Secure mode

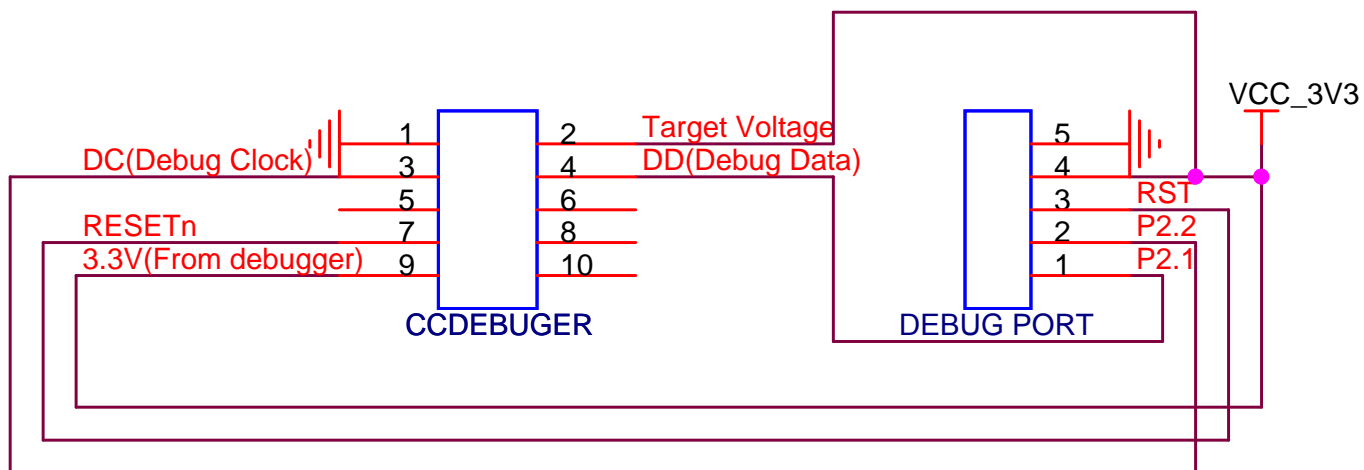
RSSI mode
Serial bootloader
Adjustable packet size

Wireless Interface

Onboard antenna
Frequency: 2405 to 2480MHz
Modulation: QSSS
RF deviation: ± 10 Khz

RF data rate: from 250 kbps
RF output power: up to 21dBm
RF sensitivity: -100dBm

Debug interface



Part numbers

N714-A-P-ZB RF Module N714-A-P – 100mW – 2405Mhz

Notice

This N714 USB dongle has not any firmware, custom must use your own firmware. More about CC2530 information please see the CC2530 datasheet.

Please visit : www.ti.com

Manufacturer

SHENZHEN NANCHENG TECHNOLOGY CO.,LTD

Contact with us

Shenzhen NanCheng Technology CO.,LTD
Addr: Room307,Xinbaoyuan Building,N5179,District 74 Xinan Street,
BaoAn District,Shenzhen,China 518101
Sales department: +0086 755 29662101
E-mail : info@hkulike.com
Web: www.hkulike.com