

N511 Narrowband RF Module

CC1120 Narrowband SPI RF Module,162-174Mhz,384-464Mhz,860-960Mhz



INTRODUCTION

N511 is a low-cost and small size narrowband RF module for transmitting and receiving digital data via radio frequency. All of the N511's electronics (don't including an antenna) reside on a single PCB, and all operational power is derived from a single supply voltage.

The narrowband transceiver module design consists of a CC1120 low-power, integrated sub 1G transceiver RF chip,all IO pin are brought out.The module available frequency is from 162-174Mhz,384-464Mhz,860-960Mhz.The hardware is designed for maximum range.

Technical specifications

Hardware Information

Interfaces: SPI
Dimension: 20 x 17mm x 3mm
Operating voltage: VCC: 2 - 3.6V
Operating temperature: -30°C to +80°C

Consumption(Sleep) : 1uA
Consumption (RX): 18mA
Consumption (TX): 55mA
RF chip: CC1120
Mounting: SMD

Software

Asynchronous Transparent mode
Low Power mode
Secure mode

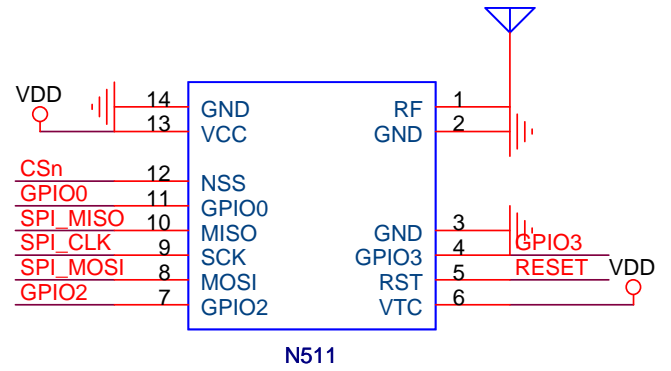
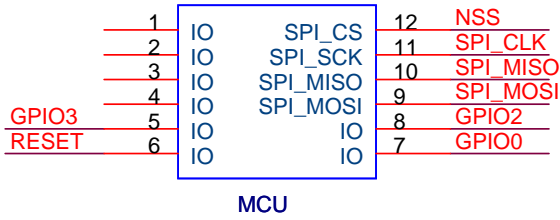
RSSI mode
Serial bootloader
Adjustable packet size

Wireless Interface

RF pin
Frequency:162-174Mhz,384-464Mhz,860-960Mhz
Modulation: narrowband FSK
RF deviation: ± 1 KHz

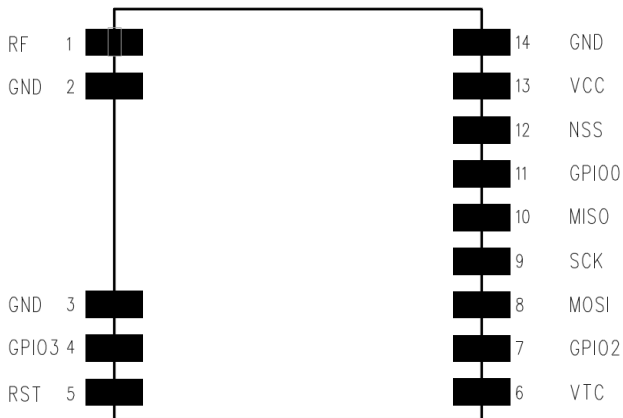
RF data rate: 0 - 200kbps
RF output power: up to 15dBm
RF sensitivity: -120dBm

Debug interface

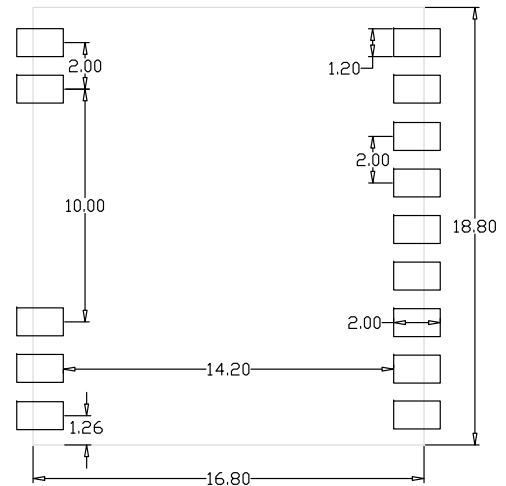


VTCXO is power of TCXO, connect to MCU IO.

Pin configuration & Dimensions



PIN define



PCB LAYOUT(mm)

Part numbers

N511-A-S-434M RF Module N511-A-S-434M – 25mW – 410-480Mhz

OTHER MODULES OF BANDS RANGE

N511-A-S-868M RF Module N511-A-S-868M – 25mW – 860-960Mhz

N511-A-S-169M RF Module N511-A-S-169M – 25mW – 162-174Mhz

Manufacturer

SHENZHEN NANCHENG TECHNOLOGY CO.,LTD

Contact with us

Shenzhen NanCheng Technology CO.,LTD
Addr: Room307,Xinbaoyuan Building,N5179,District 74 Xinan Street,
BaoAn District,Shenzhen,China 518101
Sales department: +0086 755 29662101
E-mail : info@hkulike.com
Web: www.hkulike.com