

N512 Narrowband Module

CC1120 Narrowband Uart RF Module,162-174Mhz,384-464Mhz,860-960Mhz



INTRODUCTION

N512 is a low-cost and small size FSK RF module for transmitting and receiving digital data via radio frequency. All of the N512's electronics (don't including an antenna) reside on a single PCB, and all operational power is derived from a single supply voltage.

The narrowband transceiver module design consists of a CC1120 low-power, integrated sub 1G transceiver RF chip and ST MCU, all IO pin are brought out. The module available frequency is from 162 to 960Mhz, The hardware is designed for maximum range.

Technical specifications

Hardware Information

Interfaces: SPI,IIC,UART
Dimension: 29 x 21mm x 3mm
Operating voltage: VCC: 2 - 3.6V
Operating temperature: -30°C to +80°C

Consumption(Sleep) : 1uA
Consumption (RX): 25mA
Consumption (TX): 60mA
RF chip: CC1120
Mounting: SMD

Software

Asynchronous Transparent
mode Low Power mode
Secure mode

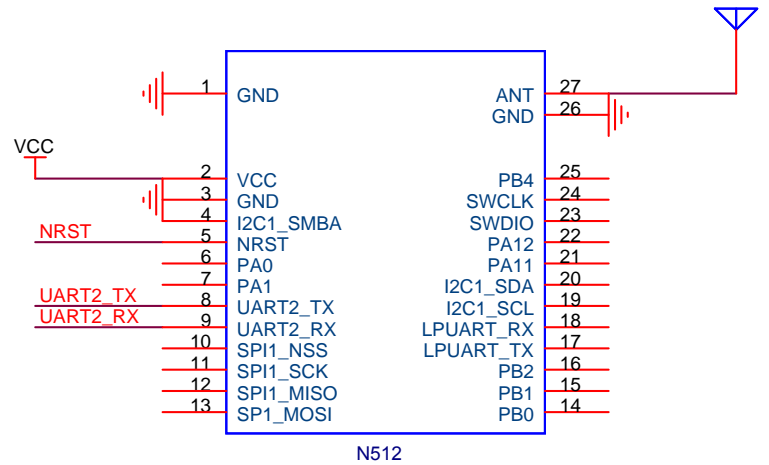
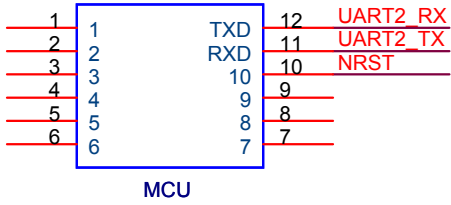
RSSI mode
Serial bootloader
Adjustable packet size

Wireless Interface

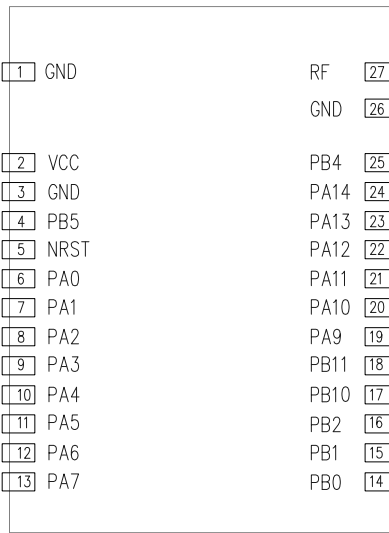
RF pin
Frequency:162-174Mhz,384-464Mhz,860-960Mhz
Modulation: narrowband FSK
RF deviation: ± 1 KHz

RF data rate: 1.2 - 200kbps
RF output power: up to 15dBm
RF sensitivity: -120dBm

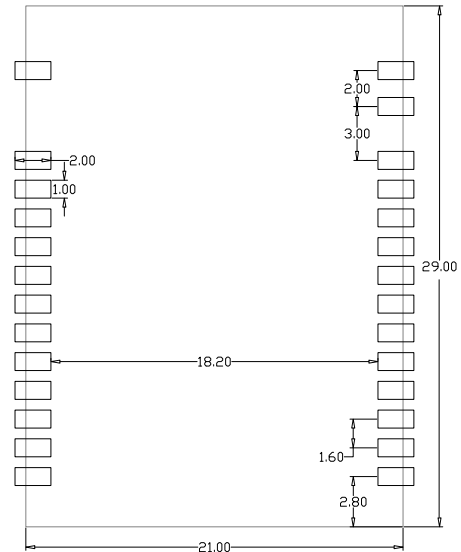
Debug interface



Pin configuration & Dimensions



PIN define



Part numbers

N512-A-S-434M RF Module N512-A-S-434M – 25mW – 410-480Mhz

OTHER MODULES OF BANDS RANGE

N512-A-S-868M RF Module N512-A-S-868M – 25mW – 860-960Mhz

N512-A-S-169M RF Module N512-A-S-169M – 25mW – 162-174Mhz

Manufacturer

SHENZHEN NANCHENG TECHNOLOGY CO.,LTD

Contact with us

Shenzhen NanCheng Technology CO.,LTD
Addr: Room307,Xinbaoyuan Building,N5179,District 74 Xinan Street,
BaoAn District,Shenzhen,China 518101
Sales department: +0086 755 29662101
E-mail : info@hkulike.com
Web: www.hkulike.com