

N560

S2-LP Narrowband SPI RF Module, 860 to 960Mhz, 14 dBm

INTRODUCTION

N561 is a low-cost and small size narrowband module for transmitting and receiving digital data via radio frequency. All of the N561's electronics (don't including an antenna) reside on a single PCB, and all operational power is derived from a single supply voltage.

The transceiver module design consists of a S2-LP low-power, integrated sub 1G transceiver RF chip, all IO pin are brought out. The module available frequency is from 410 to 960Mhz, The hardware is designed for maximum range. The visual distance up to 1 000m.

Technical specifications

Hardware Information

Interfaces: spi
Dimension: 23 x 17mm x 3mm
Operating voltage: 2 - 3.6V
Operating temperature: -30°C to +80°C
TCXO DEV: 0.5 ppm

Consumption(Sleep) : 1uA
Consumption (RX): 10mA
Consumption (TX): 40mA
RF chip: S2-LPQTR
Mounting: SMD

Software

Asynchronous
Transparent mode
Low Power mode
Secure mode

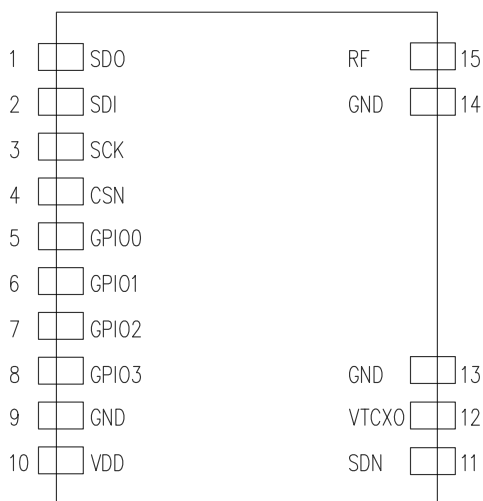
RSSI mode
Serial bootloader
Adjustable packet size

Wireless Interface

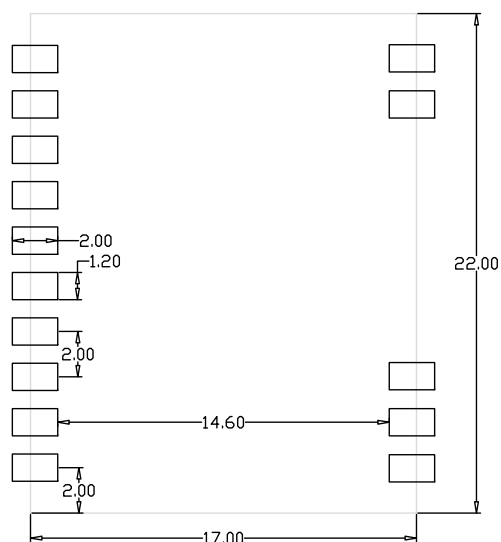
RF pin
Frequency: 860-960Mhz
Modulation: FSK, Narrowband

RF data rate: 1.2 - 500kbps
RF output power: up to 14dBm
RF sensitivity: -122dBm
Freq. Deviation: +/- 1Khz

Pin configuration & Dimensions



PIN define



PCB LAYOUT(mm)

Part numbers

N560-A-S-868M Narrowband RF Module N560-A-S-868M – 20mW – 860-960Mhz

OTHER MODULES OF BANDS RANGE

N561-A-S-868M Narrowband RF Module N561-A-S-868M – 1000mW – 860-960Mhz

N563-A-S-868M Narrowband RF Module N563-A-S-868M – 200mW – 860-960Mhz

Manufacturer

SHENZHEN NANCHENG TECHNOLOGY CO.,LTD

Contact with us

Shenzhen NanCheng Technology CO.,LTD

Addr: Room307,Xinbaoyuan Building,N5179,District 74 Xinan Street,
BaoAn District,Shenzhen,China 518101

Sales department: +0086 755 29662101

E-mail : info@hkulike.com

Web: www.hkulike.com