

N206

CC2544 2.4G ISM FSK RF USB Dongle



INTRODUCTION

N206 is a low-cost and small size USB dongle for transmitting and receiving digital data via radio frequency. All of the N206's electronics (including an antenna) reside on a single PCB, and all operational power is derived from a single supply voltage.

The transceiver design consists of a TI CC2544 low-power, integrated UHF transceiver RF chip, The module used PCB antenna, and have USB port to connect to PC. The module available frequency is from 2400Mhz to 2483mhz, The hardware is designed for maximum range. The dongle visible distance is about 100m.

N206 can be used with N203 to transmit N203's data to PC.

Technical specifications

Hardware Information

Interfaces: USB, LED
Dimension: 38 x 16mm x 7mm
Operating voltage: +5V
Operating temperature: -30°C to +70°C

Consumption (RX): 17mA
Consumption (TX): 35mA (5dBm)
Wireless Micro-controller: CC2544
Mounting: USB

Software

Asynchronous Transparent mode
Low Power mode
Secure mode

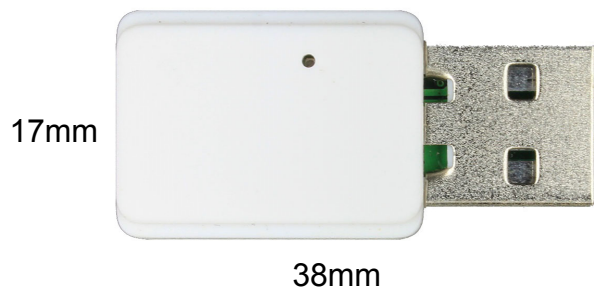
RSSI mode
Serial bootloader
Adjustable packet size

Wireless Interface

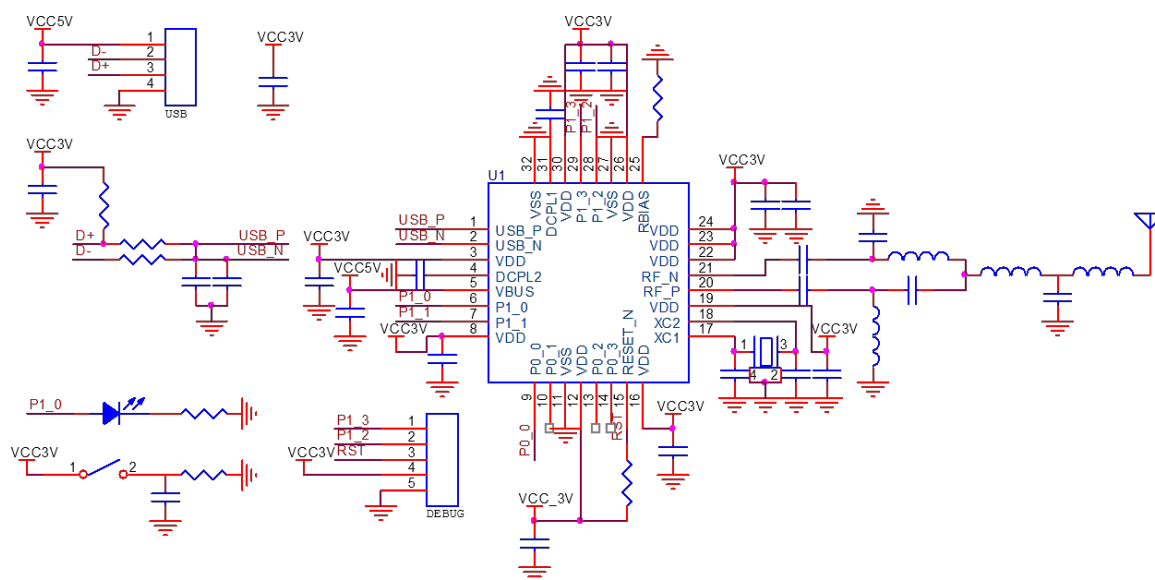
Antenna
Frequency: 2400 to 2483MHz
Modulation: 4GFSK, 2GFSK, 2FSK
RF deviation: ± 10 Khz

RF data rate: from 250 to 2000 kbps
RF output power: up to 4dBm
RF sensitivity: -98dBm

Pin configuration & Dimensions



Circuit



Part numbers

N206-A-S-2.4G RF USB dongle N206-A-P – 2mW – 2400Mhz

OTHER MODULES OF BANDS RANGE

N203-A-S-2.4G RF Module N203-A-S – 3mW – 2400Mhz

Notice

This N206 USB dongle have not any fireware,custom must use your own firmware. More about CC2544 information please see the CC2544 datasheet.

Please visit : www.ti.com

Manufacturer

SHENZHEN NANCHENG TECHNOLOGY CO.,LTD

Contact with us

Shenzhen NanCheng Technology CO.,LTD
Addr: Room307,Xinbaoyuan Building,N5179,District 74 Xinan Street,
BaoAn District,Shenzhen,China 518101
Sales department: +0086 755 29662101
E-mail : info@hkulike.com
Web: www.hkulike.com