

N207

CC2510 2.4G ISM FSK RF Module



INTRODUCTION

N207 is a low-cost and small size module for transmitting and receiving digital data via radio frequency. All of the N207's electronics (including an antenna) reside on a single PCB, and all operational power is derived from a single supply voltage.

The transceiver design consists of a TI CC2510 low-power, integrated UHF transceiver RF chip, The module used PCB antenna. The module available frequency is from 2400Mhz to 2483mhz, The hardware is designed for maximum range and optimal battery life.

N207 can be used with N208 to transmit N207's data to PC.

Technical specifications

Hardware Information

Interfaces: UART (x1), I2C (x1), SPI (x1)
A/D & D/A converters
PWM timers
Dimension: 26 x 17 x 3 mm
Operating voltage: 3.3V
Operating temperature: -40°C to +85°C

Consumption (Sleep): 1uA
Consumption (RX): 17mA
Consumption (TX): 20mA (0dBm)
Wireless Micro-controller: CC2510
Mounting: SMD

Software

Asynchronous Transparent mode
Low Power mode
Secure mode

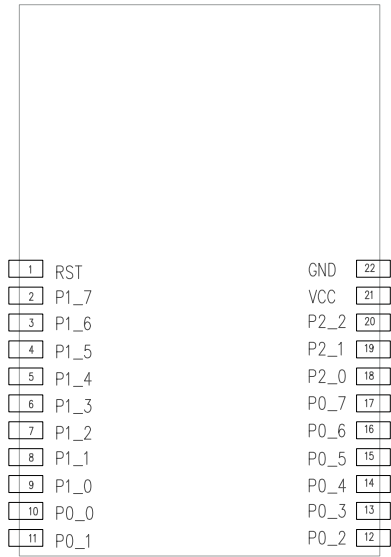
RSSI mode
Serial bootloader
Adjustable packet size

Wireless Interface

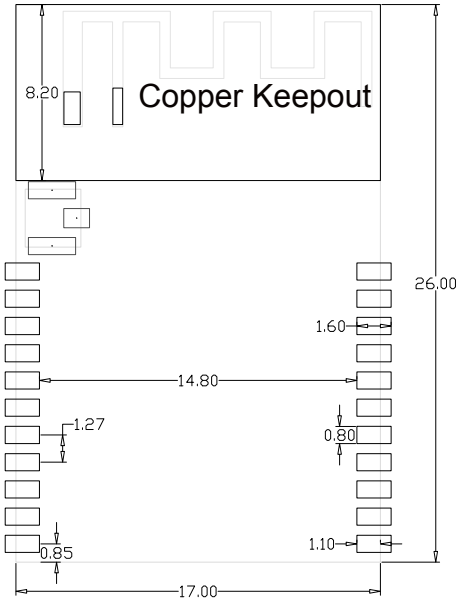
RF pin
Frequency: 2400 to 2483MHz
Modulation: 4GFSK, 2GFSK, 2FSK
RF deviation: ± 10 KHz

RF data rate: from 2.4 to 500 kbps
RF output power: up to 1dBm
RF sensitivity: -102dBm

Pin configuration & Dimensions

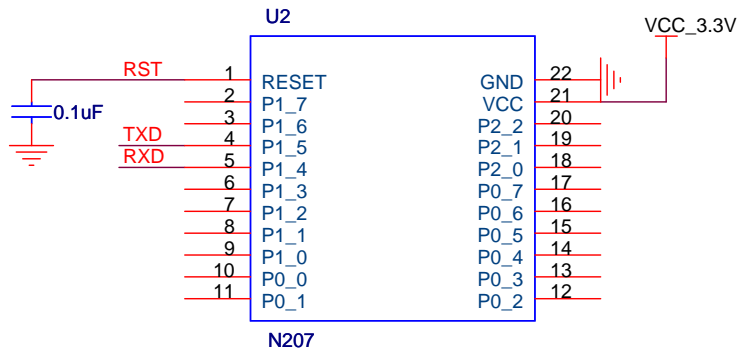


Pin Define

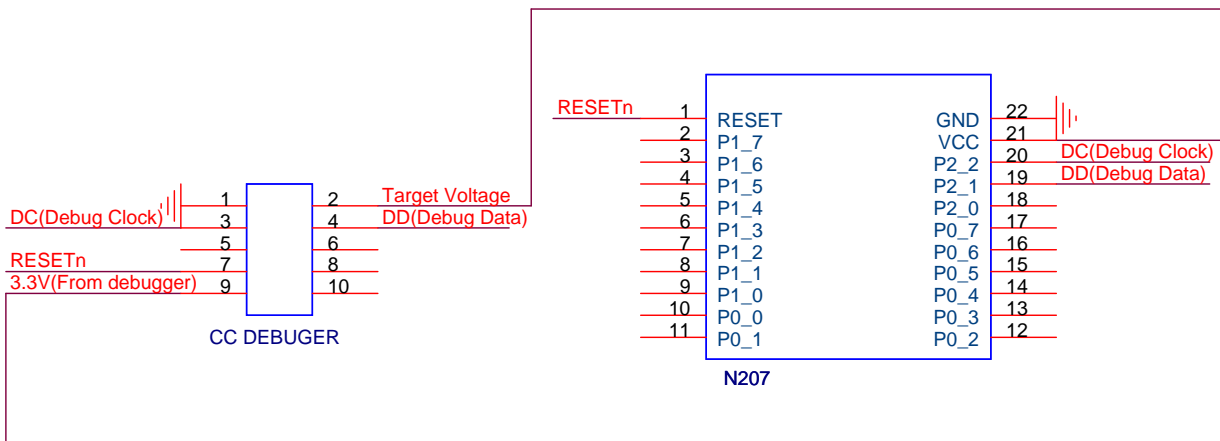


PCB Layout (mm)

Typical application circuit



Debug interface



Part numbers

N207-A-S-2.4G RF Module N207-A-S – 1mW – 2400Mhz

OTHER MODULES OF BANDS RANGE

N208-A-P-2.4G RF Module N208-A-P – 1mW – 2400Mhz

Manufacturer

SHENZHEN NANCHENG TECHNOLOGY CO.,LTD

Notice

This module have not any fireware,custom must use your own firmware.

More about CC2510 information please see the CC2510 datasheet.

Contact with us

Shenzhen NanCheng Technology CO.,LTD

Addr: Room307,Xinbaoyuan Building,N5179,District 74 Xinan Street,

BaoAn District,Shenzhen,China 518101

Sales department: +0086 755 29662101

E-mail : info@hkulike.com

Web: www.hkulike.com