

# N403 Lora RF Module

SX1262 Lora RF Serial Module,410-510Mhz,860-960Mhz



## INTRODUCTION

N403 is a low-cost and small size Lora RF serial module for transmitting and receiving digital data via radio frequency. All of the N403's electronics (don't including an antenna) reside on a single PCB, and all operational power is derived from a single supply voltage.

The transceiver design consists of a SX1262 low-power, integrated sub 1G transceiver RF chip and ST MCU, all IO pin are brought out. The module available frequency is from 410 to 510Mhz,860 to 960Mhz, The hardware is designed for maximum range, the visible distance is about 2000m.

## Technical specifications

### Hardware Information

Interfaces: IO  
Dimension: 29 x 21mm x 3mm  
Operating voltage: +2 - +3.6V  
Operating temperature: -30°C to +70°C

Consumption (Sleep): 1uA  
Consumption (RX): 18mA  
Consumption(TX):130mA(+22dBm)  
RF chip: SX1262  
Mounting: SMD

### Software

Asynchronous Transparent mode  
Low Power mode  
Secure mode

RSSI mode  
Serial bootloader  
Adjustable packet size

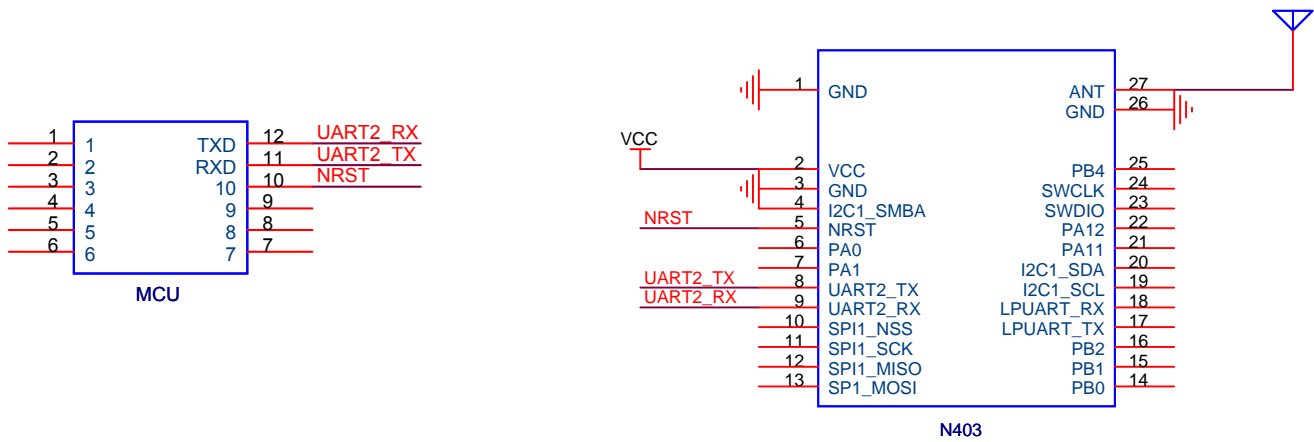
**Notice:** for more firmware information please contact with NanCheng Tech.

### Wireless Interface

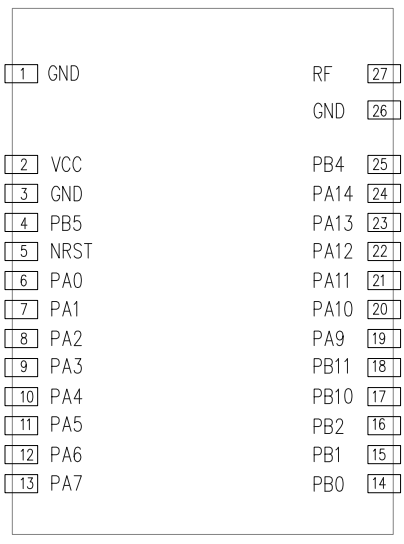
RF pin  
Frequency:410-510Mhz,860-960Mhz  
Modulation: Lora  
RF deviation:  $\pm 10$  Khz

RF data rate: 1.2 - 62.5kbps  
RF output power: up to 22dBm  
RF sensitivity: -131dBm

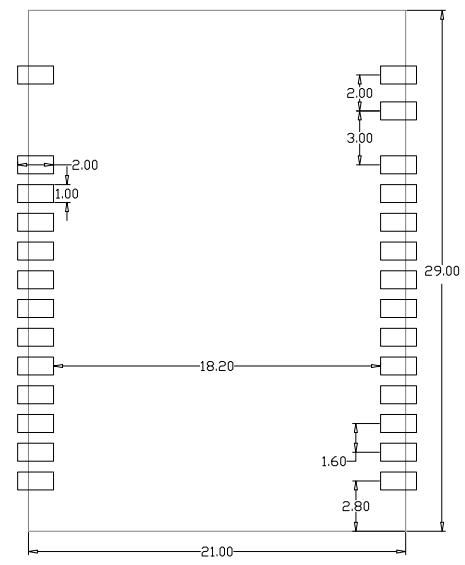
# Typical application circuit



# Pin configuration & Dimensions



PIN define



PCB LAYOUT(mm)

## **Part numbers**

N403-A-S-434M    RF Module N403-A-S-434M – 150mW – 410-510Mhz

## **OTHER MODULES OF BANDS RANGE**

N403-A-S-868M    RF Module N403-A-S-868M – 150mW – 860-960Mhz

## **Manufacturer**

SHENZHEN NANCHENG TECHNOLOGY CO.,LTD

## **Contact with us**

Shenzhen NanCheng Technology CO.,LTD  
Addr: Room307,Xinbaoyuan Building,N5179,District 74 Xinan Street,  
BaoAn District,Shenzhen,China 518101  
Sales department: +0086 755 29662101  
E-mail : info@hkulike.com  
Web: www.hkulike.com