

N401 Lora RF SPI Module

SX1262 Lora RF SPI Module,410 - 510Mhz,860 - 960Mhz



INTRODUCTION

N401 is a low-cost and small size Lora RF module for transmitting and receiving digital data via radio frequency. All of the N401's electronics (don't including an antenna) reside on a single PCB, and all operational power is derived from a single supply voltage.

The transceiver design consists of a SX1262 low-power, integrated sub 1G transceiver RF chip,all IO pin are brought out.The module available frequency is from 410 to 510Mhz,860 to 960Mhz,The hardware is designed for maximum range,the visible distance is about 2000m.

Technical specifications

Hardware Information

Interfaces: SPI
Dimension: 19 x 13mm x 3mm
Operating voltage: 2 - 3.6V
Operating temperature: -30°C to +70°C

Consumption (Sleep): 1uA
Consumption (RX): 10mA
Consumption (TX):118mA(+22dBm)
RF chip: SX1262
Mounting: SMD

Software

Asynchronous Transparent mode
Low Power mode
Secure mode

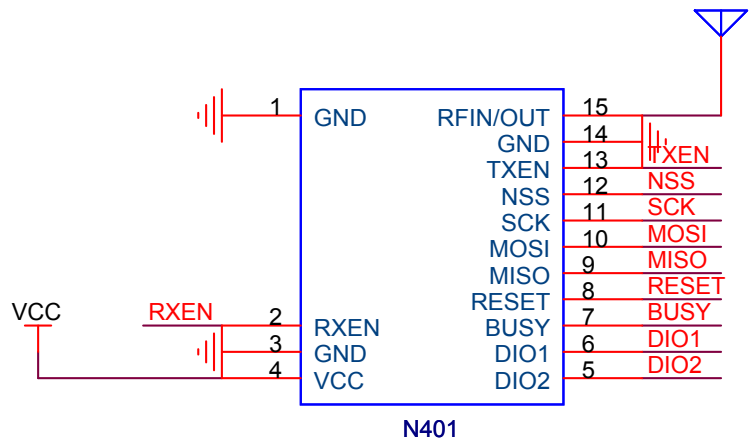
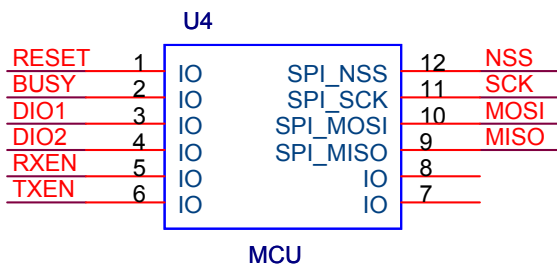
RSSI mode
Serial bootloader
Adjustable packet size

Wireless Interface

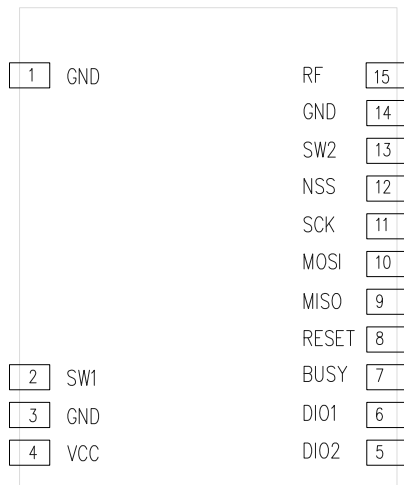
RF pin
Frequency:410-510Mhz,860-960Mhz
Modulation: Lora
RF deviation: ± 10 Khz

RF data rate: 1.2 - 62.5kbps
RF output power: up to 22dBm
RF sensitivity: -131dBm

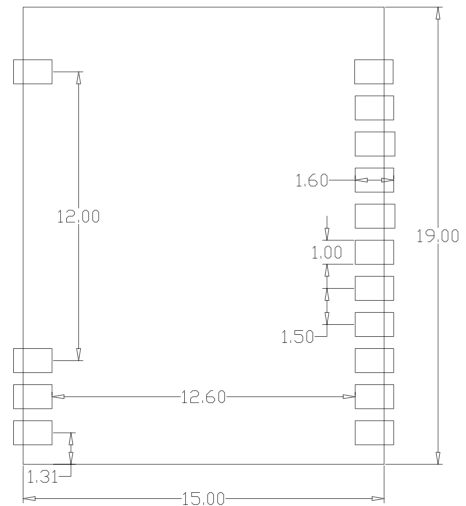
Debug interface



Pin configuration & Dimensions



PIN define



PCB LAYOUT(mm)

Part numbers

N401-A-S-434M RF Module N401-A-S-434M – 150mW – 410-510Mhz

OTHER MODULES OF BANDS RANGE

N401-A-S-868M RF Module N401-A-S-868M – 150mW – 860-960Mhz

Manufacturer

SHENZHEN NANCHENG TECHNOLOGY CO.,LTD

Contact with us

Shenzhen NanCheng Technology CO.,LTD
Addr: Room307,Xinbaoyuan Building,N5179,District 74 Xinan Street,
BaoAn District,Shenzhen,China 518101
Sales department: +0086 755 29662101
E-mail : info@hkulike.com
Web: www.hkulike.com