

N404

SX1262 Lora RF Serial PA Module,410-510M,860-960MHz



INTRODUCTION

N404 is a low-cost and small size Lora RF serial PA module for transmitting and receiving digital data via radio frequency. All of the N404's electronics (don't including an antenna) reside on a single PCB, and all operational power is derived from a single supply voltage. The maximum output power is 30dbm(at +5V).

The transceiver design consists of a SX1262 low-power, integrated sub 1G transceiver RF chip and ST MCU, all IO pin are brought out. The module available frequency is from 410 to 510Mhz,860 to 960Mhz, The hardware is designed for maximum range, the visible distance is about 10000m.

Technical specifications

Hardware Information

Interfaces: SPI,UART,IIC
Dimension: 36 x 24mm x 3mm
Operating voltage: +2 - +3.6V
PA voltage: +3 - +5V
Operating temperature: -30°C to +70°C

Consumption (Sleep): 1uA
Consumption (RX): 26mA
Consumption(TX):500mA(+30dBm)
RF chip: SX1262
Mounting: SMD

Software

Asynchronous
Transparent mode
Low Power mode
Secure mode

RSSI mode
Serial bootloader
Adjustable packet size

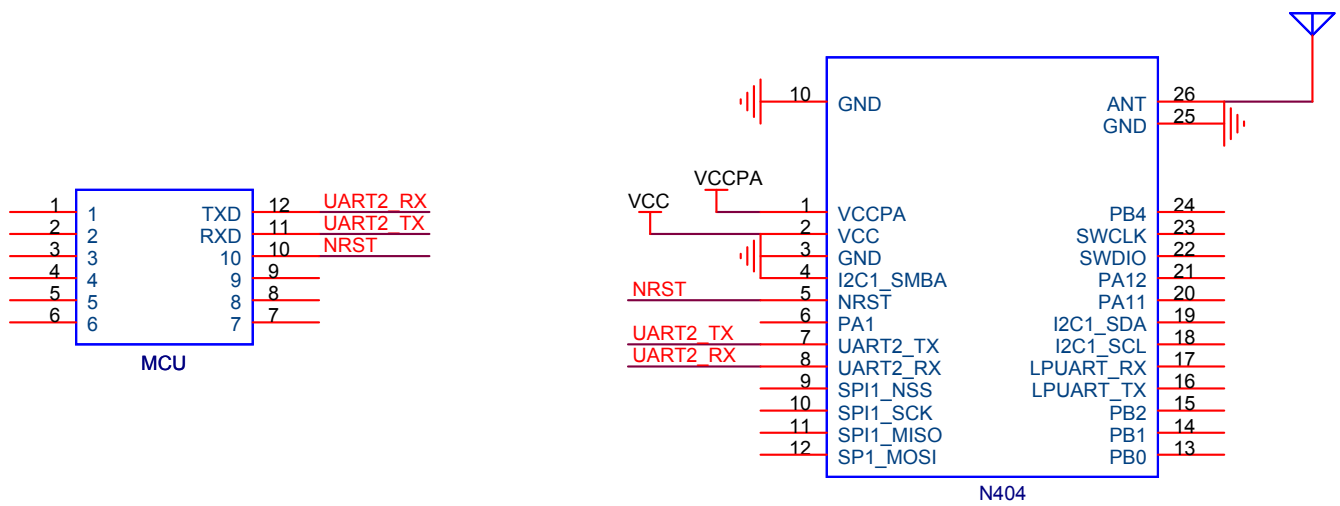
Notice: For more firmware information please contact with NanCheng Tech.

Wireless Interface

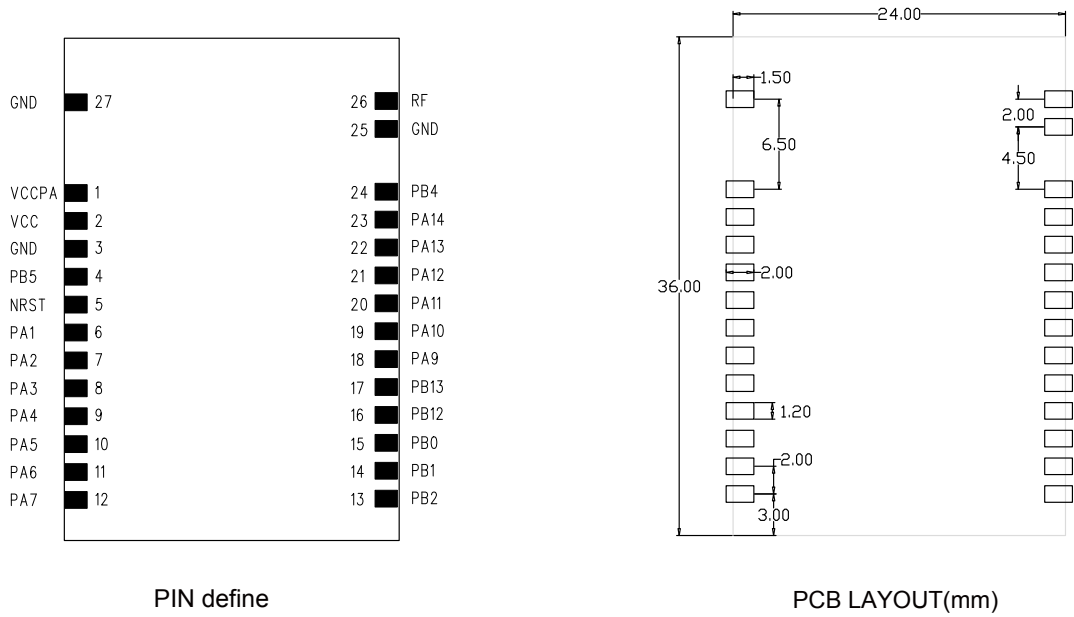
RF pin
Frequency:410-510Mhz,860-960Mhz
Modulation: Lora
RF deviation: ± 10 Khz

RF data rate: 1.2 - 62.5kbps
RF output power: up to 30dBm(+5V)
RF sensitivity: -131dBm

Typical application circuit



Pin configuration & Dimensions



Part numbers

N404-A-S-434M RF Module N404-A-S-434M – 1W – 410-510Mhz

OTHER MODULES OF BANDS RANGE

N404-A-S-868M RF Module N404-A-S-868M – 1W – 860-960Mhz

Manufacturer

SHENZHEN NANCHENG TECHNOLOGY CO.,LTD

Contact with us

Shenzhen NanCheng Technology CO.,LTD
Addr: Room307,Xinbaoyuan Building,N5179,District 74 Xinan Street,
BaoAn District,Shenzhen,China 518101
Sales department: +0086 755 29662101
E-mail : info@hkulike.com
Web: www.hkulike.com