

N701

CC2540 BLE 4.0 RF Module



INTRODUCTION

N701 is a low-cost and small size BLE 4.0 RF module for transmitting and receiving digital data via radio frequency. All of the N701's electronics (including an antenna) reside on a single PCB, and all operational power is derived from a single supply voltage.

The transceiver design consists of a TI CC2540 low-power, integrated UHF transceiver RF chip, The module used PCB antenna, and all IO pin are brought out. The module available frequency is from 2402Mhz to 2480mhz, The hardware is designed for maximum range.

Technical specifications

Hardware Information

Interfaces: IO, SPI, UART
Dimension: 25 x 15mm x 3mm
Operating voltage: VCC: 3V
Operating temperature: -30°C to +80°C

Consumption (Sleep): 1uA
Consumption (RX): 17mA
Consumption (TX): 35mA (4dBm)
Wireless Micro-controller: CC2540
Mounting: SMD

Software

Asynchronous Transparent mode
Low Power mode
Secure mode

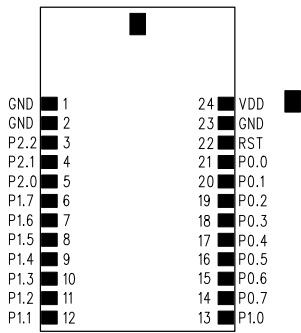
RSSI mode
Serial bootloader
Adjustable packet size

Wireless Interface

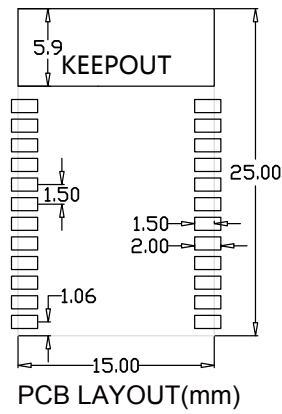
RF antenna
Frequency: 2400 to 2480MHz
Modulation: GFSK
RF deviation: ± 10 KHz

RF data rate: 250 kbps
RF output power: up to 4dBm
RF sensitivity: -88dBm

Pin configuration & Dimensions

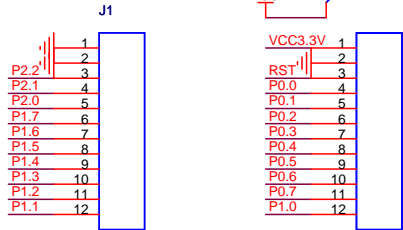
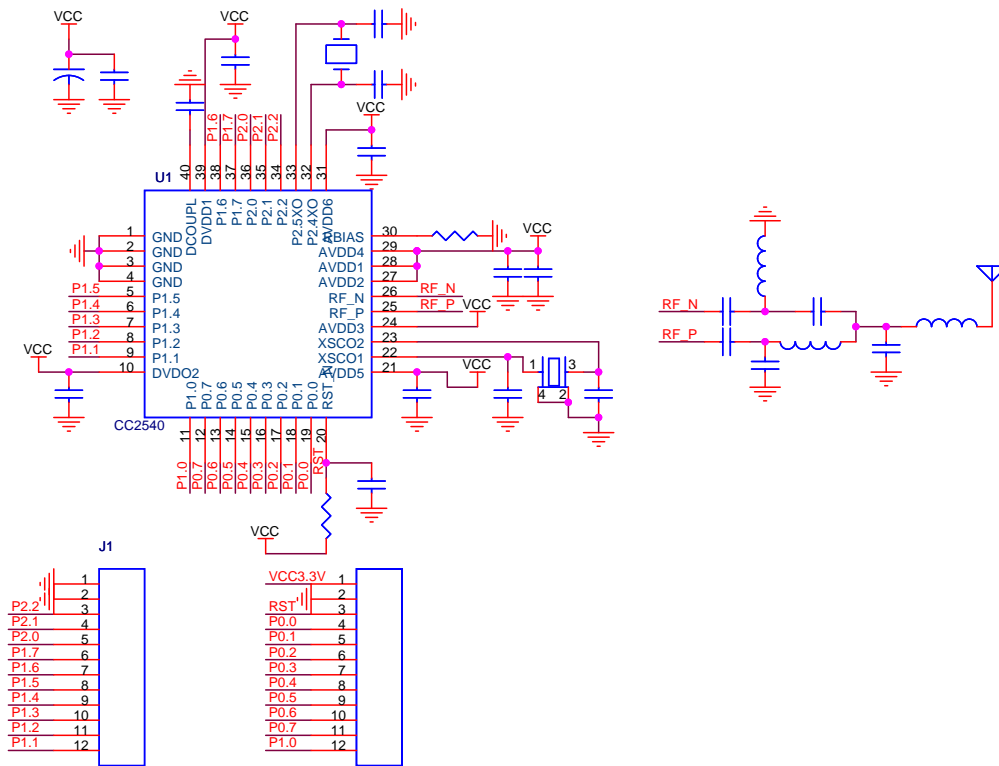


PIN define

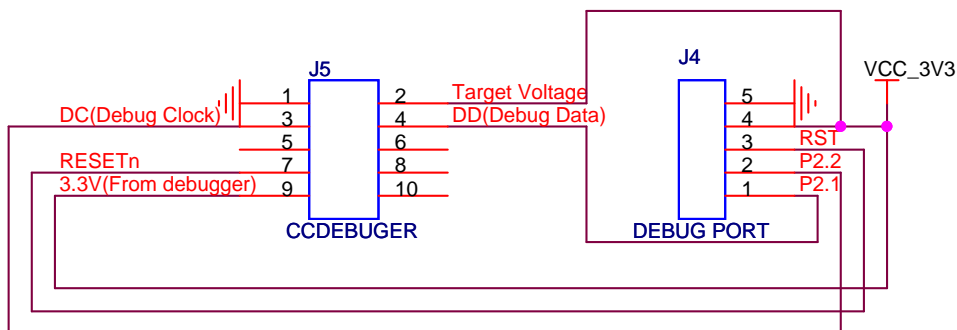


PCB LAYOUT(mm)

Circuit



Debug interface



Part numbers

N701-A-S-BLE RF Module N701-A-S-ZB – 2mW – 2402Mhz

OTHER MODULES OF BANDS RANGE

N708-A-P-BLE RF Module N708-A-P – 2mW – 2402Mhz

Notice

This N701 USB dongle have not any fireware,custom must use your own firmware. More about CC2540 information please see the CC2540 datasheet.

Please visit : www.ti.com

Manufacturer

SHENZHEN NANCHENG TECHNOLOGY CO.,LTD

Contact with us

Shenzhen NanCheng Technology CO.,LTD
Addr: Room307,Xinbaoyuan Building,N5179,District 74 Xinan Street,
BaoAn District,Shenzhen,China 518101
Sales department: +0086 755 29662101
E-mail : info@hkulike.com
Web: www.hkulike.com