

N411

SX1278 Lora SPI RF Module 458Mhz



INTRODUCTION

N411 is a low-cost and small size Lora RF module for transmitting and receiving digital data via radio frequency. All of the N411's electronics (don't including an antenna) reside on a single PCB, and all operational power is derived from a single supply voltage.

The transceiver design consists of a SX1278 low-power, integrated sub 1G transceiver RF chip, all IO pin are brought out. The module available frequency is from 410 to 510Mhz, The hardware is designed for maximum range, The module visual distance is about 1500m.

Technical specifications

Hardware Information

Interfaces: SPI
Dimension: 17 x 16mm x 3mm
Operating voltage: +2 - +3.6V
Operating temperature: -30°C to +70°C

Sleep current: 1uA
Consumption (RX): 15mA
Consumption (TX): 120mA(+20dBm)
RF chip: SX1278
Mounting: SMD

Software

Asynchronous Transparent mode
Low Power mode
Secure mode

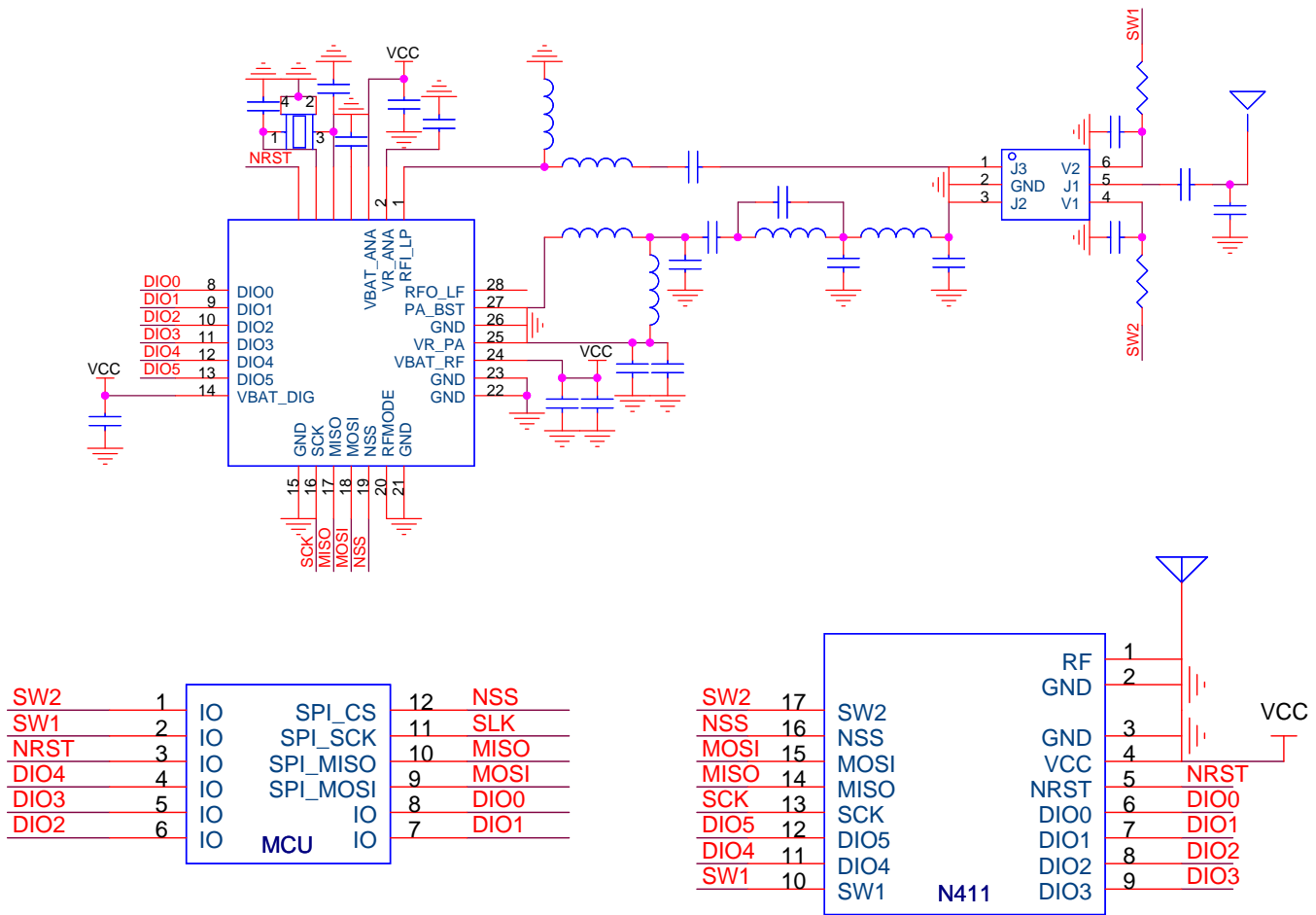
RSSI mode
Serial bootloader
Adjustable packet size

Wireless Interface

RF pin
Frequency: 410-510Mhz
Modulation: Lora
RF deviation: ± 10 Khz

RF data rate: 1.2 - 37.5kbps
RF output power: up to 20dBm
RF sensitivity: -131dBm

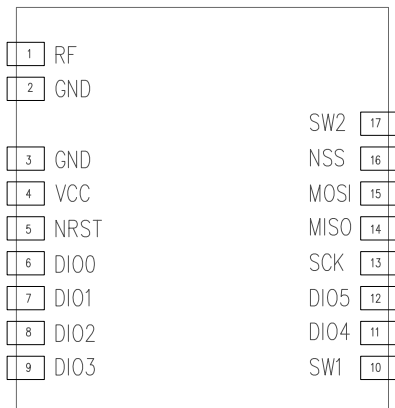
Circuit and interface



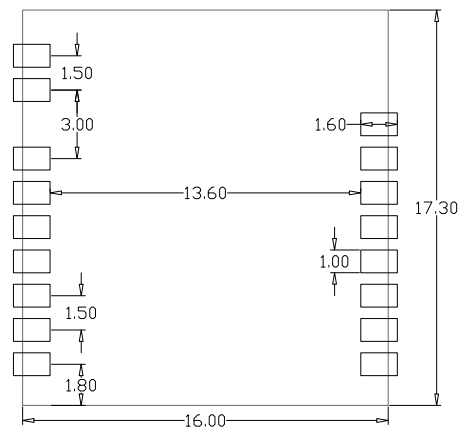
RF switching logic:

Transmitt: SW1=1;SW2=0; **Receive:** SW1=0;SW2=1; **Sleep:** SW1=0;SW2=0;

Pin configuration & Dimensions



PIN define



PCB LAYOUT(mm)

Part numbers

N411-A-S-434M RF Module N411-A-S-434M – 100mW – 410-510Mhz

Manufacturer

SHENZHEN NANCHENG TECHNOLOGY CO.,LTD

Contact with us

Shenzhen NanCheng Technology CO.,LTD

Addr: Room307,Xinbaoyuan Building,N5179,District 74 Xinan Street,

BaoAn District,Shenzhen,China 518101

Sales department: +0086 755 29662101

E-mail : info@hkulike.com

Web: www.hkulike.com