

# N410

## SX1272 Lora RF Uart Module,868MHZ



### INTRODUCTION

N410 is a low-cost and small size Lora RF module for transmitting and receiving digital data via radio frequency. All of the N410's electronics (don't including an antenna) reside on a single PCB, and all operational power is derived from a single supply voltage. The maximum output power is 20dbm.

The transceiver design consists of a SX1272 low-power, integrated sub 1G transceiver RF chip and ST MCU, all IO pin are brought out. The module available frequency is from 860 to 960Mhz, The hardware is designed for maximum range, The visible distance is about 1500 meters.

### Technical specifications

#### Hardware Information

Interfaces: SPI,UART,IIC  
Dimension: 29 x 21mm x 3mm  
Operating voltage: +2 - +3.6V  
Operating temperature: -30°C to +70°C

Consumption (Sleep): 1uA  
Consumption (RX): 26mA  
Consumption(TX):120mA(+19dBm)  
RF chip: SX1272  
Mounting: SMD

#### Software

Asynchronous Transparent mode  
Low Power mode  
Secure mode

RSSI mode  
Serial bootloader  
Adjustable packet size

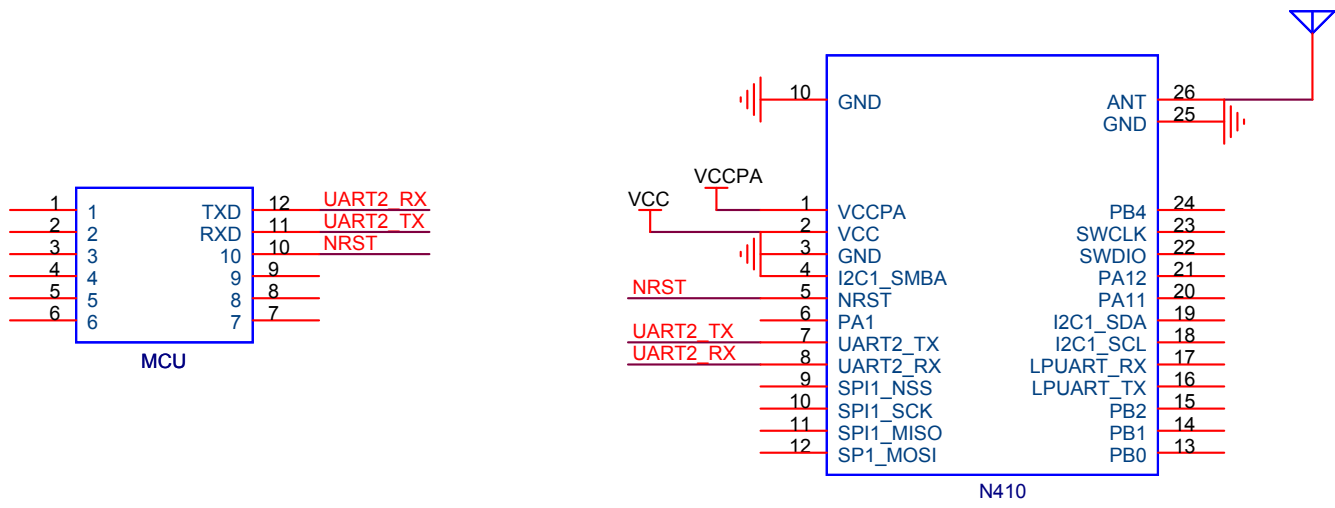
**Notice:** For more firmware information please contact with NanCheng Tech.

#### Wireless Interface

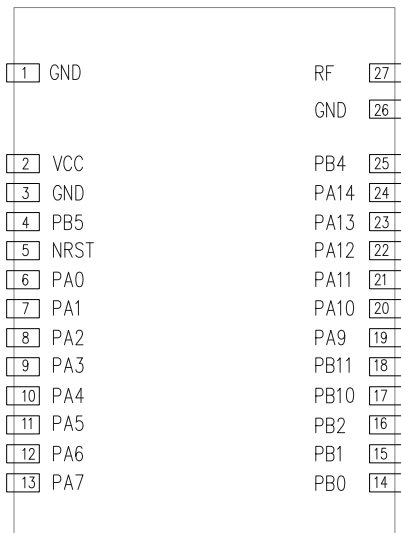
RF pin  
Frequency:860-960Mhz  
Modulation: Lora  
RF deviation:  $\pm 10$  Khz

RF data rate: 1.2 - 37.5kbps  
RF output power: up to 19dBm  
RF sensitivity: -131dBm

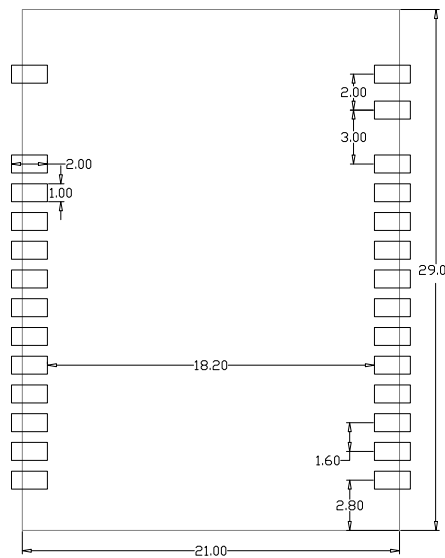
# Typical application circuit



## Pin configuration & Dimensions



PIN define



PCB LAYOUT(mm)

## **Part numbers**

N410-A-S-868M    RF Module N410-A-S-868M – 100mW – 860-960Mhz

## **Manufacturer**

SHENZHEN NANCHENG TECHNOLOGY CO.,LTD

## **Contact with us**

Shenzhen NanCheng Technology CO.,LTD  
Addr: Room307,Xinbaoyuan Building,N5179,District 74 Xinan Street,  
BaoAn District,Shenzhen,China 518101  
Sales department: +0086 755 29662101  
E-mail : info@hkulike.com  
Web: www.hkulike.com