

N501

ADF7023 Real time transmission, FSK RF Serial Module



INTRODUCTION

N501 is a low-cost and small size Lora RF serial module for transmitting and receiving digital data via radio frequency. All of the N501's electronics (don't including an antenna) reside on a single PCB, and all operational power is derived from a single supply voltage.

The transceiver design consists of a ADF7023 low-power, integrated sub 1G transceiver RF chip and ST MCU, all IO pin are brought out. The module available frequency is from 430 to 960Mhz, The hardware is designed for maximum range, 500m + Range (Line of Sight).

Technical specifications

Hardware Information

Interfaces: IO
Dimension: 29 x 21mm x 3mm
Operating voltage: VCC: 2 - 3.6V
Operating temperature: -30°C to +80°C

Consumption(Sleep) : 2uA
Consumption (RX): 18mA
Consumption(TX):40mA
RF chip: ADF7023
Mounting: SMD

Software

Asynchronous Transparent mode
Low Power mode
Secure mode

RSSI mode
Serial bootloader
Adjustable packet size

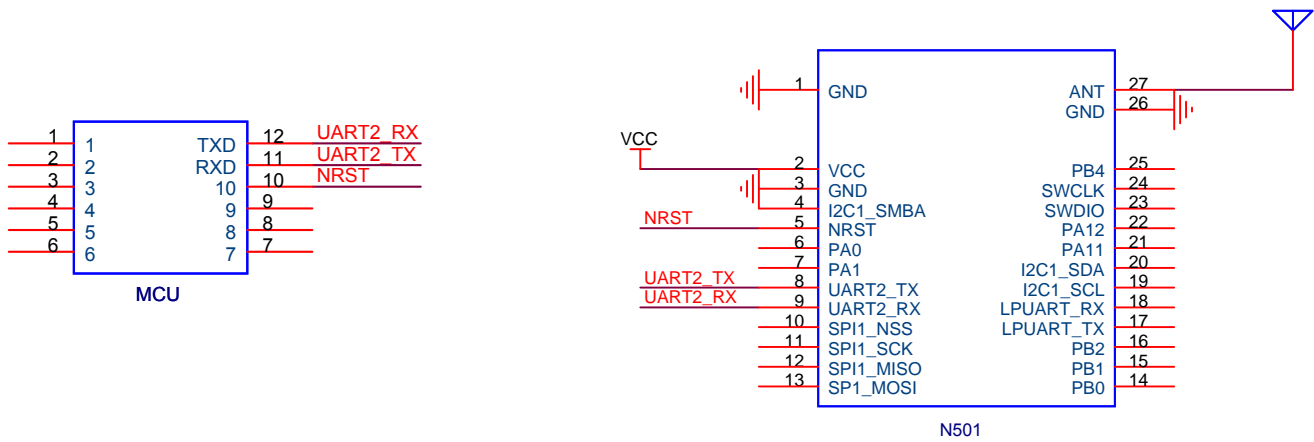
Notice: for more firmware information please contact with NanCheng Tech.

Wireless Interface

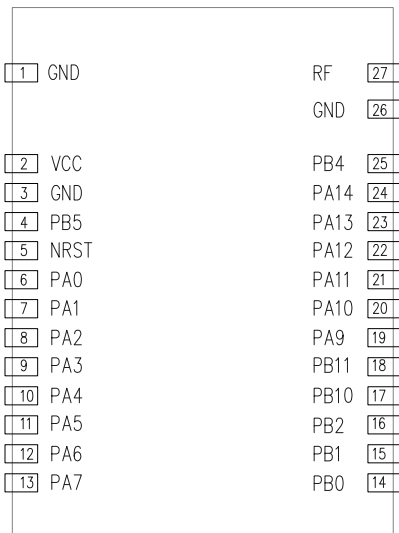
RF pin
Frequency: 430-464Mhz, 860-960Mhz
Modulation: FSK
RF deviation: ± 10 Khz

RF data rate: 1.0 - 300kbps
RF output power: up to 12dBm
RF sensitivity: -120dBm

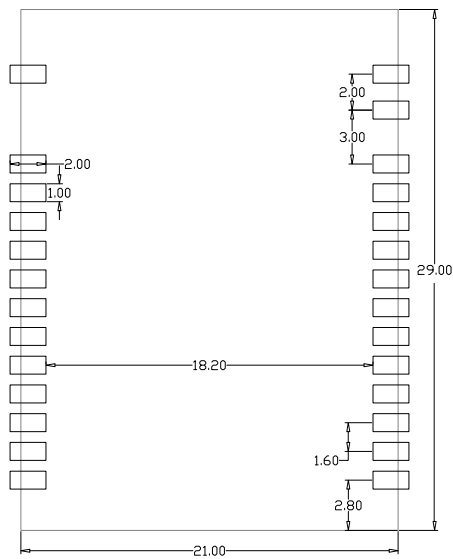
Typical application circuit



Pin configuration & Dimensions



PIN define



PCB LAYOUT(mm)

Part numbers

N501-A-S-434M RF Module N501-A-S-434M – 13mW – 430-464Mhz

OTHER MODULES OF BANDS RANGE

N501-A-S-868M RF Module N501-A-S-868M – 13mW – 860-960Mhz

Manufacturer

SHENZHEN NANCHENG TECHNOLOGY CO.,LTD

Contact with us

Shenzhen NanCheng Technology CO.,LTD
Addr: Room307,Xinbaoyuan Building,N5179,District 74 Xinan Street,
BaoAn District,Shenzhen,China 518101
Sales department: +0086 755 29662101
E-mail : info@hkulike.com
Web: www.hkulike.com