

N421

SX1272 PA Lora RF SPI Module,27dBm



INTRODUCTION

N421 is a low-cost and small size Lora RF module for transmitting and receiving digital data via radio frequency. All of the N421's electronics (don't including an antenna) reside on a single PCB, and all operational power is derived from a single supply voltage.

The transceiver design consists of a SX1272 low-power, integrated sub 1G transceiver RF chip and PA, all IO pin are brought out. The module available frequency is from 860 to 960Mhz, The hardware is designed for maximum range, 5000m + Range (Line of Sight).

Technical specifications

Hardware Information

Interfaces: SPI
Dimension: 27 x 18mm x 3mm
Operating voltage VCC: 2 - 3.6V
Operating voltage VCCPA: 3 - 5V
Operating temperature: -30°C to +70°C

Consumption(Sleep) : 2uA
Consumption (RX): 18mA
Consumption(TX):600mA
RF chip: SX1272
Mounting: SMD

Software

Asynchronous Transparent mode
Low Power mode
Secure mode

RSSI mode
Serial bootloader
Adjustable packet size

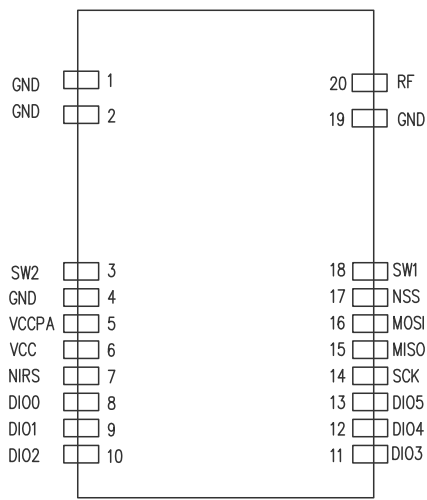
Notice: for more firmware information please contact with NanCheng Tech.

Wireless Interface

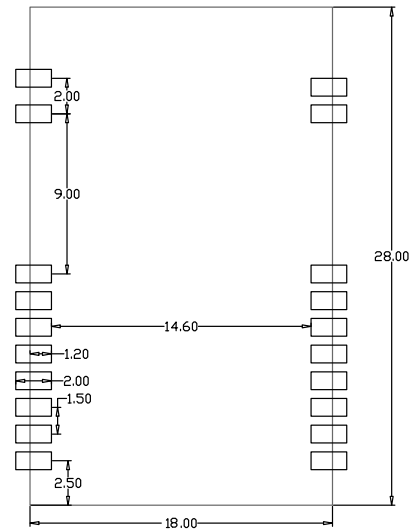
RF pin, IPEX
Frequency: 860-960Mhz
Modulation: LoRa
RF deviation: ± 10 Khz

RF data rate: 1.2 - 37.5kbps
RF output power: up to 27dBm
RF sensitivity: -131dBm

Pin configuration & Dimensions



PIN define



PCB LAYOUT(mm)

Transmit and Receive Logic :

	SW1	SW2
Transmitt	1	0
Receive	0	1
Sleep	0	0

Part numbers

N421-A-S-868M RF Module N419-A-S-868M – 0.5W – 860-960Mhz

Manufacturer

SHENZHEN NANCHENG TECHNOLOGY CO.,LTD

Contact with us

Shenzhen NanCheng Technology CO.,LTD
Addr: Room307,Xinbaoyuan Building,N5179,District 74 Xinan Street,
BaoAn District,Shenzhen,China 518101
Sales department: +0086 755 29662101
E-mail : info@hkulike.com
Web: www.hkulike.com