

N414

SX1272 Lora Uart RF Module



INTRODUCTION

N414 is a low-cost and small size Lora RF serial PA module for transmitting and receiving digital data via radio frequency. All of the N414's electronics (don't including an antenna) reside on a single PCB, and all operational power is derived from a single supply voltage.

The transceiver design consists of a SX1272 low-power, integrated sub 1G transceiver RF chip and ST MCU, all IO pin are brought out. The module available frequency is from 860 to 960Mhz, The hardware is designed for maximum range, the output power up to 29dbm, 8000m + Range (Line of Sight).

Technical specifications

Hardware Information

Interfaces: IIC,UART,SPI
Dimension: 29 x 21mm x 3mm
Operating voltage VCC: +2 - +3.6V
Operating voltage VCCPA: +2 - +4.8V
Operating temperature: -30°C to +70°C

Consumption(Sleep) : 2uA
Consumption (RX): 18mA
Consumption(TX):600mA(+29dBm)
RF chip: SX1272
Mounting: SMD

Software

Asynchronous Transparent mode
Low Power mode
Secure mode

RSSI mode
Serial bootloader
Adjustable packet size

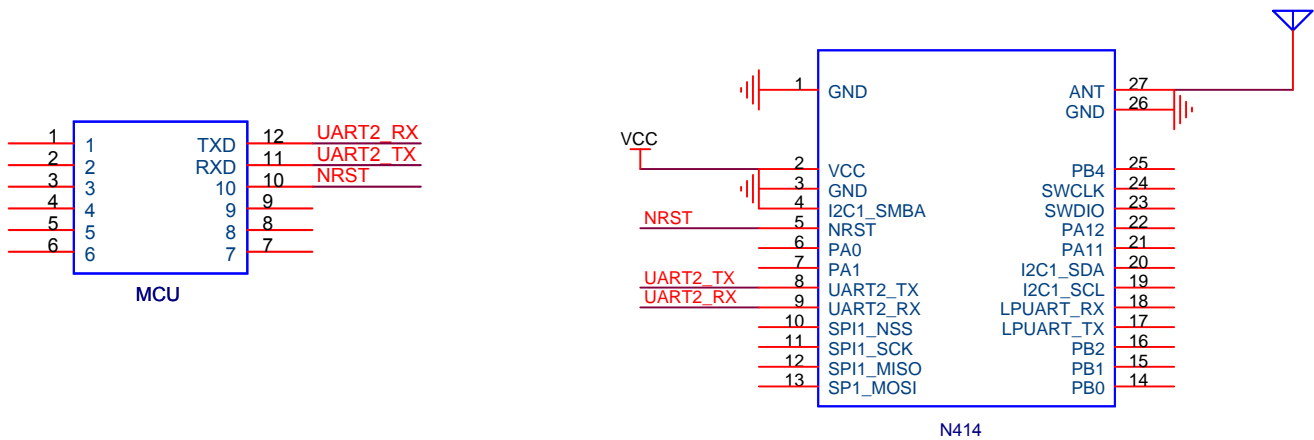
Notice: for more firmware information please contact with NanCheng Tech.

Wireless Interface

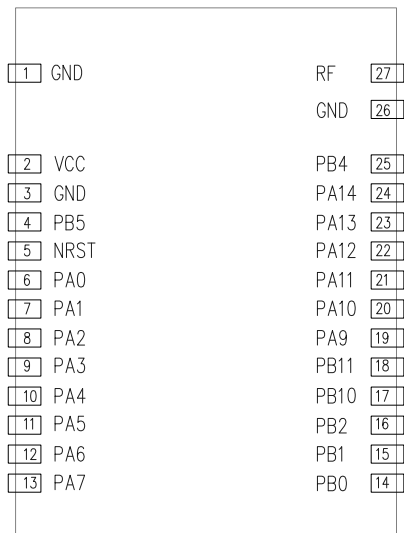
RF pin
Frequency:860-960Mhz
Modulation: Lora
RF deviation: ± 10 Khz

RF data rate: 1.2 - 37.5kbps
RF output power: up to 29dBm
RF sensitivity: -131dBm

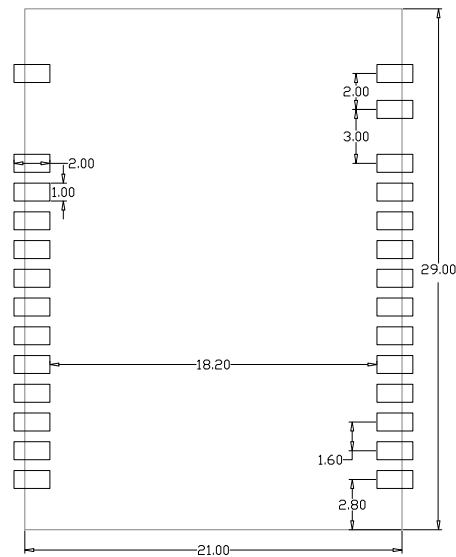
Typical application circuit



Pin configuration & Dimensions



PIN define



PCB LAYOUT(mm)

Part numbers

N414-A-S-868M RF Module N414-A-S-868M – 1W – 860-960Mhz

Manufacturer

SHENZHEN NANCHENG TECHNOLOGY CO.,LTD

Contact with us

Shenzhen NanCheng Technology CO.,LTD

Addr: Room307,Xinbaoyuan Building,N5179,District 74 Xinan Street,

BaoAn District,Shenzhen,China 518101

Sales department: +0086 755 29662101

E-mail : info@hkulike.com

Web: www.hkulike.com