

N502

ADF7023 PA Real Time Transmission Module,430-464Mhz,860-928Mhz,24dbm



INTRODUCTION

N502 is a low-cost and small size Lora RF serial PA module for transmitting and receiving digital data via radio frequency. All of the N502's electronics (don't including an antenna) reside on a single PCB, and all operational power is derived from a single supply voltage. The maximum output power is 24dbm(at 3V),27dbm(at 5V).

The transceiver design consists of a ADF7023 low-power, integrated sub 1G transceiver RF chip and ST MCU, all IO pin are brought out.The module available frequency is from 430 to 928Mhz,The hardware is designed for maximum range,2000m + Range (Line of Sight).

Technical specifications

Hardware Information

Interfaces: IO
Dimension: 36 x 24mm x 3mm
Operating voltage VCC: 2 - 3.6V
PA voltage: 2.6-5V
Operating temperature: -30°C to +80°C

Consumption(Sleep) : 2uA
Consumption (RX): 26mA
Consumption(TX):400mA(+24dBm)
RF chip: ADF7023
Mounting: SMD

Software

Asynchronous Transparent mode
Low Power mode
Secure mode

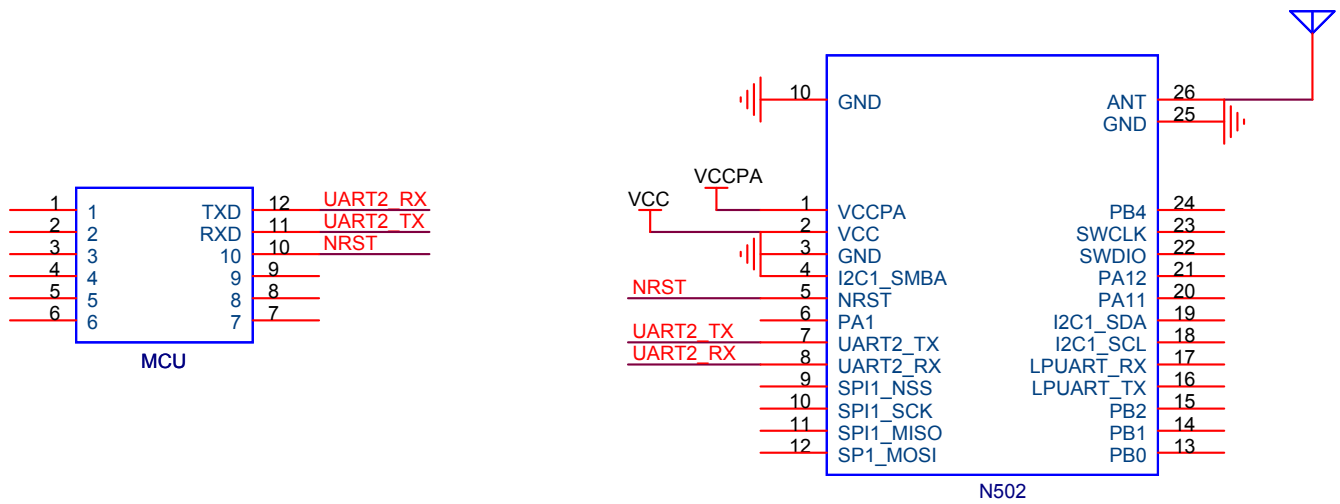
RSSI mode
Serial bootloader
Adjustable packet size

Wireless Interface

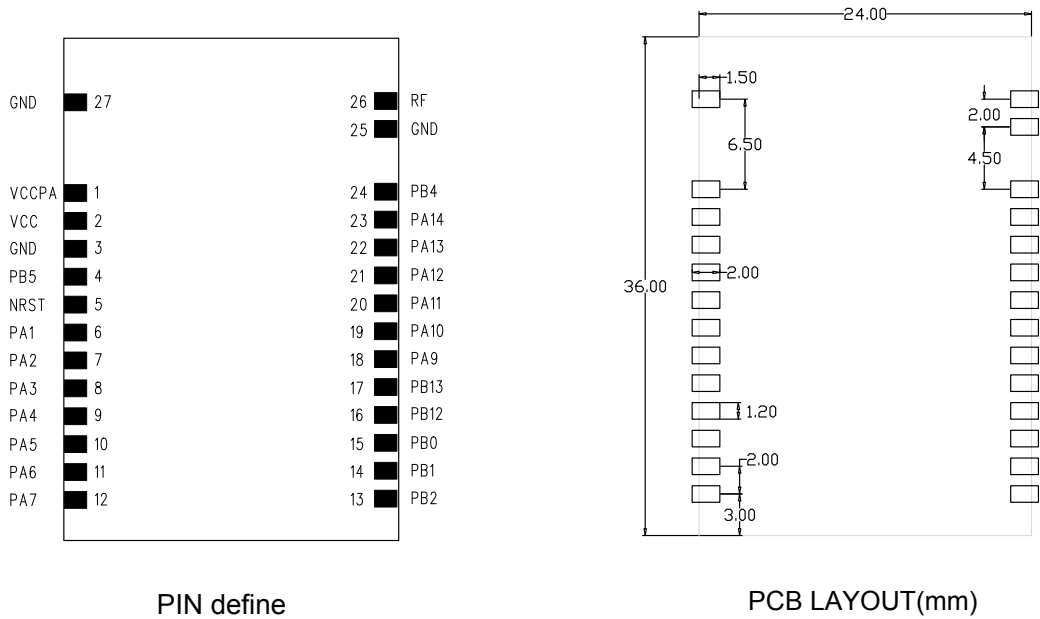
RF pin
Frequency:430-464Mhz,860-928Mhz
Modulation: FSK
RF deviation: ± 10 Khz

RF data rate: 1.0 - 300kbps
RF output power: up to 24dBm(at 3.3V)
RF sensitivity: -122dBm

Typical application circuit



Pin configuration & Dimensions



Part numbers

N502-A-S-434M RF Module N502-A-S-434M – 200mW – 430-464Mhz

OTHER MODULES OF BANDS RANGE

N502-A-S-868M RF Module N502-A-S-868M – 200mW – 860-960Mhz

Manufacturer

SHENZHEN NANCHENG TECHNOLOGY CO.,LTD

Contact with us

Shenzhen NanCheng Technology CO.,LTD
Addr: Room307,Xinbaoyuan Building,N5179,District 74 Xinan Street,
BaoAn District,Shenzhen,China 518101
Sales department: +0086 755 29662101
E-mail : info@hkulike.com
Web: www.hkulike.com