

N502

ADF7023 PA Real Time Transmission Module,430-464M,860-928Mhz,30dbm



INTRODUCTION

N502 is a low-cost and small size FSK RF serial PA module for transmitting and receiving digital data via radio frequency. All of the N502's electronics (don't including an antenna) reside on a single PCB, and all operational power is derived from a single supply voltage. The maximum output power is 30dbm(at +3.3V).

The transceiver design consists of a ADF7023 low-power, integrated sub 1G transceiver RF chip and ST MCU, all IO pin are brought out. The module available frequency is from 430 to 464Mhz, 860 to 960Mhz, The hardware is designed for maximum range, 10000m + Range (Line of Sight).

Technical specifications

Hardware Information

Interfaces: IO
Dimension: 42 x 24mm x 3mm
Operating voltage VCC: 2 - 3.6V
PA voltage: 2 - 5V
Operating temperature: -30°C to +70°C

Sleep current: 2uA
Consumption (RX): 30mA
Consumption(TX):1400mA(+30dBm)
RF chip: ADF7023
Mounting: SMD

Software

Asynchronous Transparent mode
Low Power mode
Secure mode

RSSI mode
Serial bootloader
Adjustable packet size

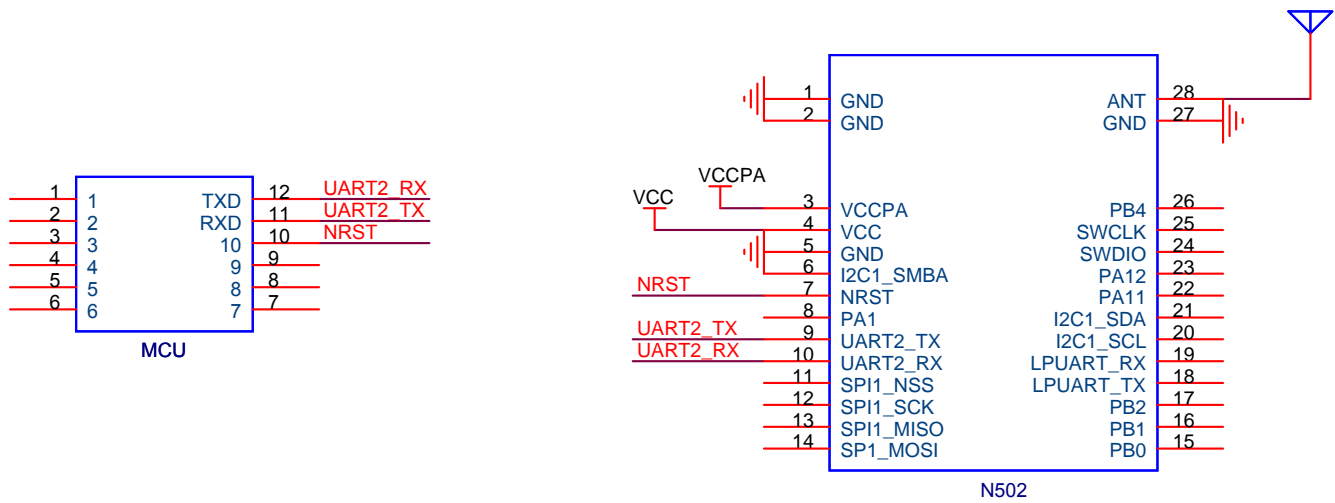
Notice: For more firmware information please contact with NanCheng Tech.

Wireless Interface

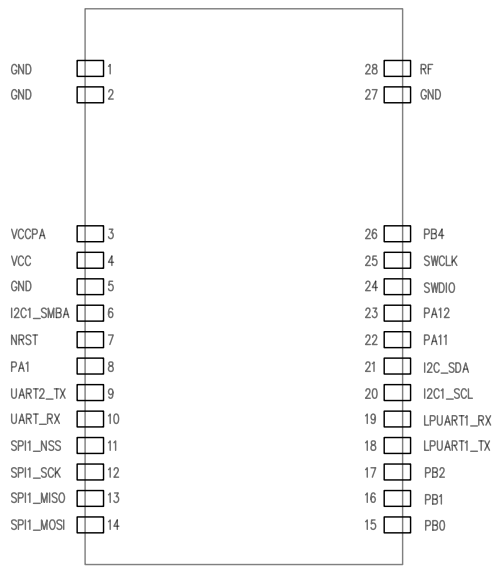
RF pin, IPEX
Frequency: 430-464Mhz, 860-928Mhz
Modulation: FSK
RF deviation: ± 10 Khz

RF data rate: 1.0 - 300kbps
RF output power: up to 30dBm(at +3.3V)
RF sensitivity: -122dBm

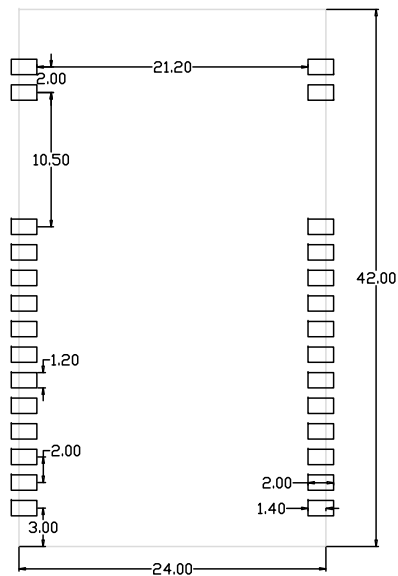
Typical application circuit



Pin configuration & Dimensions



PIN define



PCB LAYOUT(mm)

Part numbers

N502-E-S-434M RF Module N502-E-S-434M – 1W – 430-464Mhz

OTHER MODULES OF BANDS RANGE

N502-E-S-868M RF Module N502-E-S-868M – 1W – 860-960Mhz

Manufacturer

SHENZHEN NANCHENG TECHNOLOGY CO.,LTD

Contact with us

Shenzhen NanCheng Technology CO.,LTD
Addr: Room307,Xinbaoyuan Building,N5179,District 74 Xinan Street,
BaoAn District,Shenzhen,China 518101
Sales department: +0086 755 29662101
E-mail : info@hkulike.com
Web: www.hkulike.com