

N517BS CC1125 PA Module, +30dBm



N517BS Module introduction

N517BS radio module based TI CC1125 transceiver, PA, and TCXO crystal.

N517BS CC1125 transceiver module designed for 169M, 433M, 868M and 915Mhz narrowband band.

N517BS has +30 dBm output power and the sensitivity down to -126 dBm, WMBUS and Arduinio support.

N517BS module has SMD and plug-in installation mode. The module use narrowband FSK modulation. N517BS FSK module occupys very little bandwidth.

N517BS hardware is designed for maximum range,10000 m + Range (Line of Sight).

N517BS Module Parameters

Module	Introduce
Interface	SPI
Frequency	169M, 433M, 868M and 915Mhz
RF Data Rate	0 - 200 kbps
TX Power	+30 dBm
RX Sensitivity	-126 dBm
TX Current	900 mA
RX Current	35 mA
Frequency Deviation	+/- 2 Khz
Communication Distance	10 - 10000 m (Visual distance)
Antenna Interface	RF pin, SMA
Installation Mode	SMD, plug-in

Volume (mm)	36 mm x 24 mm x 3 mm
Operating Voltage	2 - 3.6 V
PA Operating Voltage	3 - 3.9 V, type 3.6V
Working Temperature and Humidity Environment	Temperature: -40 - 80°C; Humidity 10 - 95 %RH
Storage Temperature and Humidity Environment	Temperature: -40 - 80°C; Humidity 10 - 95 %RH
Weight (kg)	≈10g

N517BS pinout Description

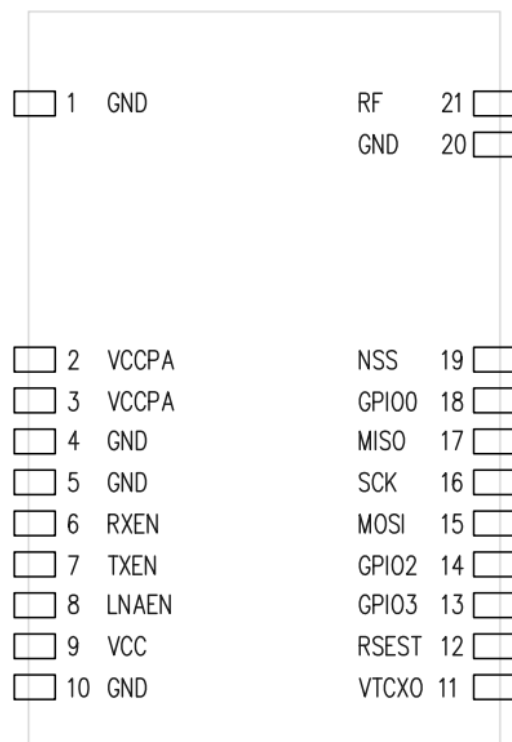
	Pin name	Description		Pin name	Description
1	GND	Ground	12	RESET	RESET
2	VCCPA	3.6V	13	GPIO3	MCU I/O
3	VCCPA	3.6V	14	GPIO2	MCU I/O
4	GND	Ground	15	MOSI	SPI
5	GND	Ground	16	SCK	SPI
6	RXEN	MCU I/O	17	MISO	SPI
7	TXEN	MCU I/O	18	GPIO0	MCU I/O
8	LNAEN	MCU I/O	19	NSS	MCU I/O
9	VCC	2-3.6V	20	GND	GND
10	GND	GND	21	RF	RF PIN
11	VTCXO	MCU I/O			
	Pin name	Description		Pin name	Description
1	GND	Ground	9	GPIO3	MCU I/O
2	VCCPA	3-3.9V	10	GPIO2	MCU I/O
3	VCC	2-3.6V	11	MOSI	SPI
4	TCXO	MCU I/O	12	SCK	SPI
5	HGM	MCU I/O	13	MISO	SPI

6	LNAEN	MCU I/O	14	GPIO0	MCU I/O
7	PAEN	MCU I/O	15	CS	SPI
8	RESET	MCU I/O	16	GND	Ground

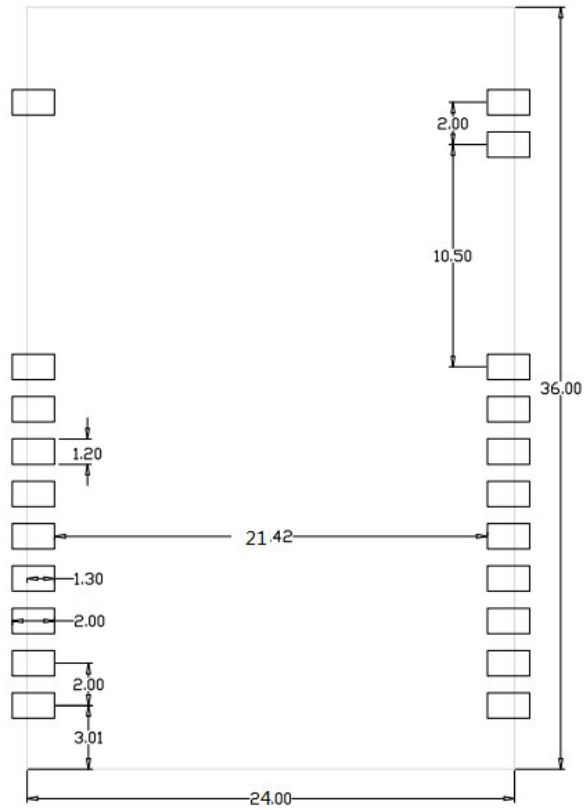
N517BS Logic Description

	TXEN	RXEN	LENAN	VTCXO
Transmitt	1	0	1	1
Receive	0	1	0	1
Sleep	0	0	1	0

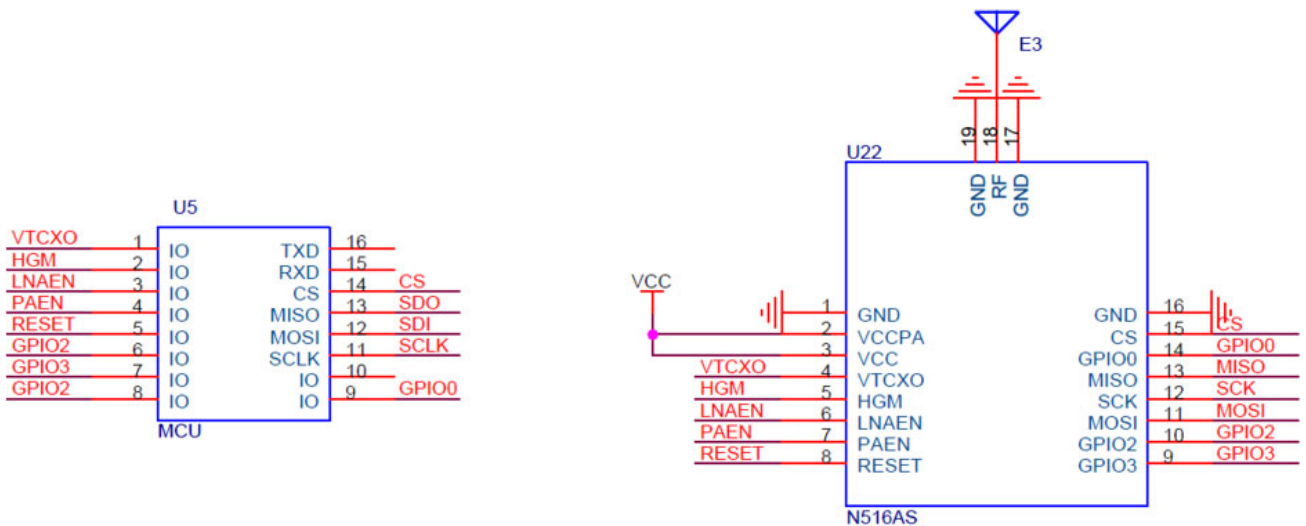
N517BS Module Package



N517BS Module Packaging Diagram



N517BS Typical Application Circuit



N517BS Ordering Information

N517BS-169M CC1125+PA +30 dBm, Narrowband, 860 - 880 MHz

N517BS-433M	CC1125+PA	+30 dBm, Narrowband, 860 - 880 MHz
N517BS-868M	CC1125+PA	+30 dBm, Narrowband, 860 - 880 MHz
N517BS-915M	CC1125+PA	+30 dBm, Narrowband, 910 - 960 MHz

More information please contact with us.